



**UNITED BRASS WORKS, INC.**  
 714 S. Main St., Randleman, NC 27317  
 Tel: 800-334-3035 Fax: 800-498-4696 www.ubw.com



**Model 1001 Reducing Valve  
 (Steam & Oil Applications)**

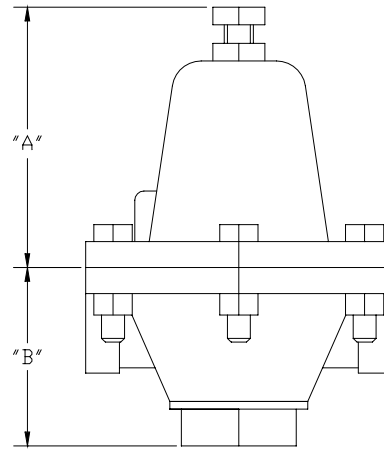
**Max. Inlet Pressure – 200WSP**  
**Max. Reduced Pressure – 150WSP \***  
*2" Size only max reduced pressure – 125WSP*

**Specify Pressure Range:  
 0 – 45PSI or 20 – 150PSI**

**Bronze Piston & Cylinder  
 Tee Adjusting Handle  
 Bronze Diaphragm**

**Reducing Valve  
 Replacement Parts**

1011	Diaphragm
1013	Gasket
1016	Piston & Cylinder Assembly



Size	1/2"	3/4"	1"	1 1/4"	1 1/2"	2"
A	4.50	4.63	5.38	6.13	6.13	8.50
B	2.13	2.13	2.63	2.63	3.25	3.50
Ship Wgt. (lbs.)	7.50	9.00	12.00	18.00	18.00	32.00



**UNITED BRASS WORKS, INC.**  
 714 S. Main St., Randleman, NC 27317  
 Tel: 800-334-3035 Fax: 800-498-4696 www.ubw.com



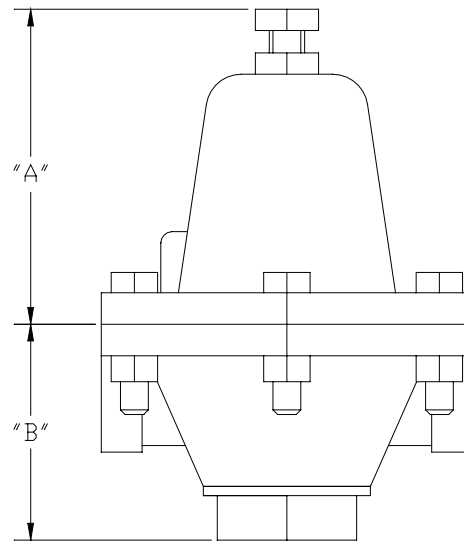
## Model 1010 Reducing Valve (Air & Water Applications)

**Max. Inlet Pressure – 200WOG**  
**Adjustment Range – 5 – 120PSI**

**Bronze Piston & Cylinder**  
**Tee Adjusting Handle**  
**Neoprene Diaphragm**

### Reducing Valve Replacement Parts

1012	Diaphragm
1013	Gasket
1016	Piston & Cylinder Assembly



Size	1/2"	3/4"	1"	1 1/4"	1 1/2"	2"
A	4.50	4.63	5.38	6.13	6.13	8.50
B	2.13	2.13	2.63	2.63	3.25	3.50
Ship Wgt. (lbs.)	7.50	9.00	12.00	18.00	18.00	32.00