



TYPE P125 TRIP STOP PILOT

# TYPE P125 TRIP STOP PILOT

SHUTOFF 5 to 175 PSI

- Self Contained
- Spring Operated
- Normally Closed
- Packless Construction
- Easy In-line Maintenance
- Quickly shuts off steam flow in the event of an over pressure condition
- Factory preset and tested for desired trip set point
- Trip setting unaffected by service conditions
- Manual reset feature keeps system safely shut down until control is regained

### APPLICATION DATA

- Safety Shutoff For Over Pressure Conditions
- May Be Used When Conditions Disallow Use of SRV

### RATINGS (Maximum Inlet Conditions)

Construction	Pressure PSIG (bar)	Temperature °F (°C)
Cast Iron	250 (17.2) @	450 (232)
Cast Steel	600 (41.4) @	750 (400)

### SPRING PRESSURE RANGES

5-25	10-50
40-150	150-175

Canadian Registration # OC 0591.9C

### TYPICAL CONFIGURATIONS

OVER PRESSURE SHUTDOWN .....	EP125
OVER PRESSURE SHUTDOWN .....	ESP125
OVER PRESSURE SHUTDOWN .....	E2P125

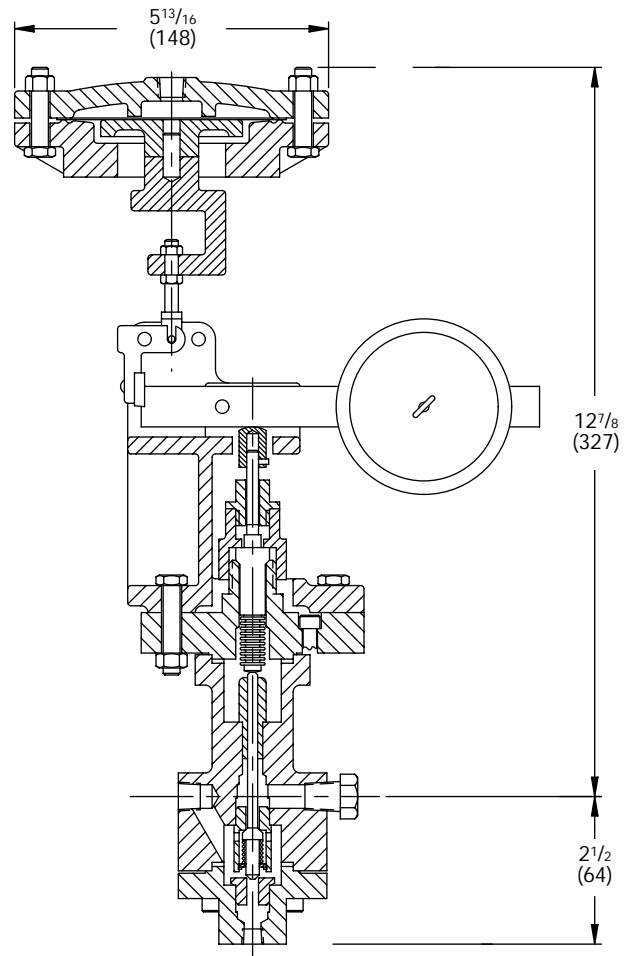
# TYPE P125 TRIP STOP PILOT

## SPECIFICATION

The Trip Stop Pilot shall be separate from the main valve and connected to it with a male union. The Pilot shall be normally closed design with packless construction. A strainer screen shall be built into the Pilot inlet. The Pilot shall be interchangeable on all sizes of main valves. The trip stop pilot shall maintain a Spence main valve in the open position while system pressure remains below set pressure. The pilot shall trip in the event of system overpressure, shutting main valve. Pilot shall be manually resettable and maintain safe shut off until reset.

## MATERIALS OF CONSTRUCTION

Body, Cast Iron .....	ASTM 126 Cl. B
Body, Carbon Steel .....	ASTM 216 Gr. WCB
Stem .....	303 St. Stl. ASTM 582 Cond. A
Disc .....	440 St. Stl. ASTM 276-75 Cond. A
Seat .....	304 St. Stl. ASTM 276 Cond. A
Gasket .....	Non-asbestos



TYPE P125 PILOT

**TYPE P125 TRIP STOP PILOT**  
**CAST IRON 26 LBS. (12 KG)**  
**CAST STEEL 28 LBS. (13 KG)**