



TYPE P14 PILOT

TYPE P PUMP GOVERNOR PILOT

CONTROLS 3 to 2000 PSIG

- Self Contained
- Spring Operated
- Normally Open
- ANSI/FCI 70-2 Class IV Shutoff
- Packless Construction
- Accurate to ± 1 psi
- Three Adjustable Spring Ranges
- Steam Applications
- Constant Average Discharge Pressure
- Accurate Regulation Unaffected by Service Conditions
- Easy In-line Maintenance

OPTIONS

- Adjustment Indicator
- Integral Mount

MODELS

- **TYPE P13** features a spring for controlling pressures 100 to 300 PSI.
- **TYPE P14** features three spring ranges for controlling pressures 5 to 150 PSI.
- **TYPE P15** features two spring ranges for controlling pressures 3 to 25 PSI.
- **TYPE P32** is piston driven and features three spring ranges for controlling pressures 200 to 2000 PSI.

TYPICAL CONFIGURATIONS

- STEAM PUMP CONTROLTYPE EP
- STEAM PUMP CONTROL.....TYPE E2P
- STEAM PUMP CONTROL.....TYPE E5P

APPLICATION DATA

- Steam Driven Pump Control

RATINGS (Maximum Inlet Conditions)

Construction	Pressure PSIG (bar)	Temperature °F (°C)
Cast Iron	250 (17.2) @	450 (232)
Cast Steel	600 (41.4) @	750 (400)

SPRING PRESSURE RANGES (PSIG)

Model	Spring Range 1 (PSIG)	Spring Range 2 (PSIG)	Spring Range 3 (PSIG)
P13	100-300		
P14	5-30	20-100	40-150
P15	3-10	5-25	
P32	200-450	400-1200	1000-2000

Canadian Registration # OC 0591.9C

SIZING INFO
PAGE 124

TYPE P PUMP GOVERNOR PILOT

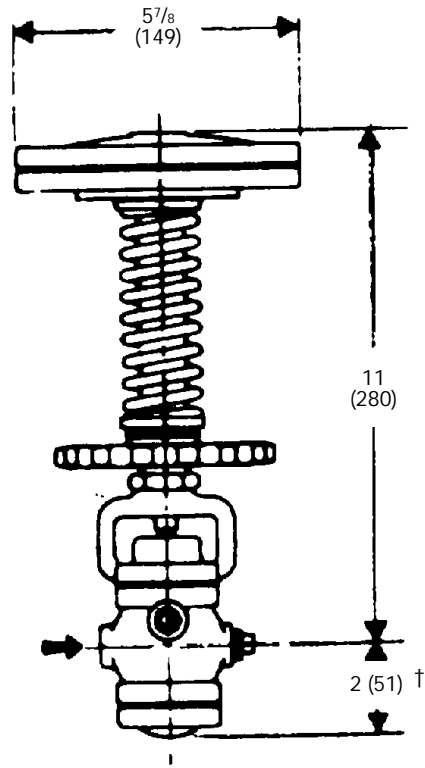
SPECIFICATION

The Pilot shall be separate from the main valve and connected to it with a male union. The Pilot shall be normally closed design with packless construction. A strainer screen shall be built into the Pilot inlet. The Pilot shall be interchangeable on all sizes of main valves. The pilot shall automatically adjust pump discharge pressures within the spring range to maintain a constant average pressure.

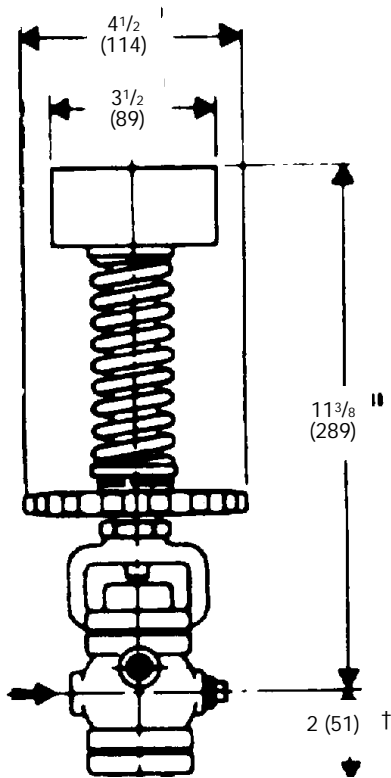
MATERIALS OF CONSTRUCTION

Body, Cast IronASTM A126 CI B
 Body, Cast BronzeASTM B61 UNS C92200
 Body, Cast SteelASTM A216 GR. WCB
 Stem2024-T4 ASTM B211-75
 Disc440 St. St. ASTM A276-75 COND A
 Seat420 St. Stl ASTM A276 COND A
 GasketNon-Asbestos
 Diaphragm301 St. Stl. MIL-5-5059C
 SpringSteel ASTM A231

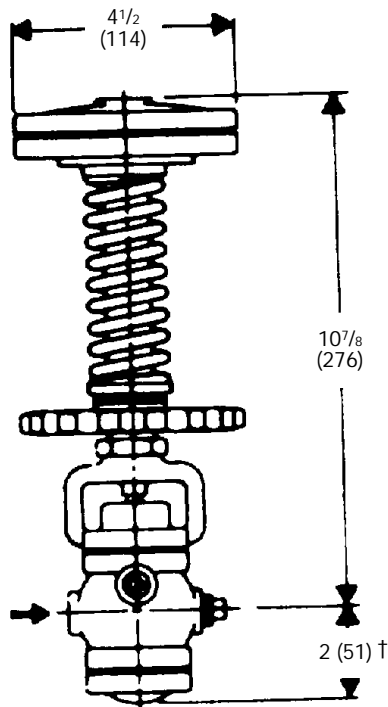
TYPE P PUMP
GOVERNOR PILOT



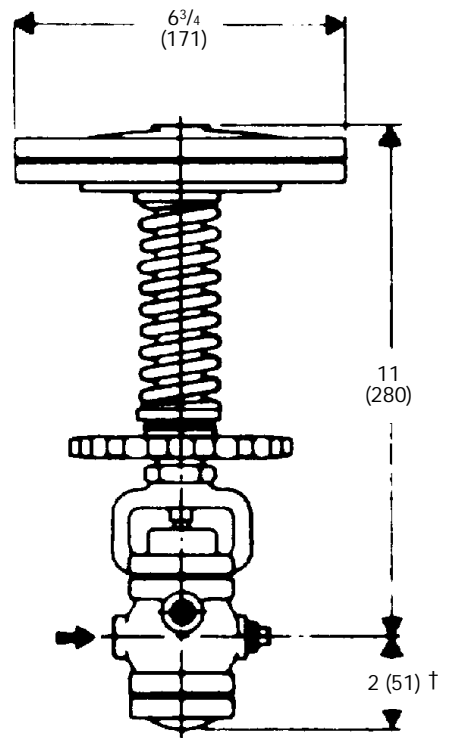
TYPE P14 PILOT
13 LBS.
(5.9 KG)



TYPE P32 PILOT
10 LBS.
(4.5 KG)



TYPE P13 PILOT
11 LBS.
(5 KG)



TYPE P15 PILOT
15 LBS.
(6.8 KG)

†For Integral Mount Pilot, this dimension is 1 1/16" (27).