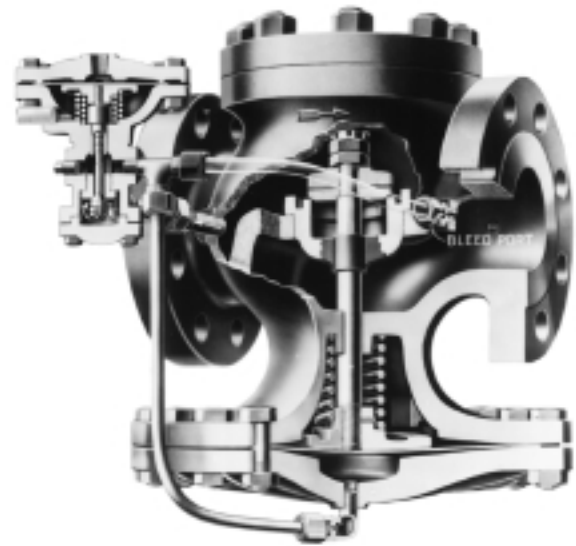


TYPE EA SERIES PRESSURE REGULATOR

CAST IRON or STEEL
for PRESSURES to 600 PSIG at 750°F

APPLICATION DATA

- Pressure Regulating for Steam Distribution
- Single Point or Multiple use Applications
- Pressure Control for Steam Plants
- District Heating Systems
- Single Stage Reductions
- Two Stage Reductions
- Parallel Reduction
- Control from Remote Location
- Temperature Regulating (with addition of T60 Series Pneumatic Temperature Pilot)



TYPE EA Series
PRESSURE REGULATOR

TYPE EA SERIES
PRESSURE REGULATOR

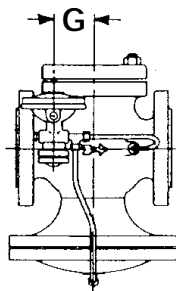
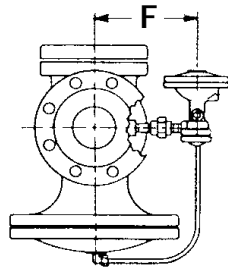
VALVE INFO
PAGE 28

PILOT INFO
PAGE 50

DIMENSIONS

inches (mm)

SIZE	F	G
3/8 (10)	5 3/8 (136)	1 1/4 (32)
1/2 (15)	5 3/8 (136)	1 1/4 (32)
3/4 (20)	5 5/8 (143)	1 3/8 (35)
1 (25)	5 3/4 (146)	1 1/2 (38)
1 1/4 (32)	6 (152)	1 7/8 (48)
1 1/2 (40)	6 1/4 (159)	2 (51)
2 (50)	6 5/8 (168)	2 1/8 (54)
2 1/2 (65)	6 3/4 (171)	2 3/8 (60)
3 (80)	7 1/4 (184)	2 3/4 (70)
4 (100)	8 (203)	3 1/2 (89)
5 (125)	9 (229)	3 1/2 (89)
6 (150)	9 7/8 (251)	4 (102)
8 (200)	10 1/2 (267)	6 1/4 (159)
10 (250)	12 1/2 (318)	6 (152)
12 (300)	14 (356)	8 1/2 (216)



Valve is tapped so that
Pilot may be mounted
on either side.

