

SPACE

GLOBE VALVE

150 LB

BRONZE TRIM

APPLICABLE STANDARDS

Steel Valves, ANSI B16.34-1977, Standard Class
 Face-to-face, End-to-end, ANSI B16.10
 End Flanges, ANSI B16.5
 Weld Ends, ANSI B16.25

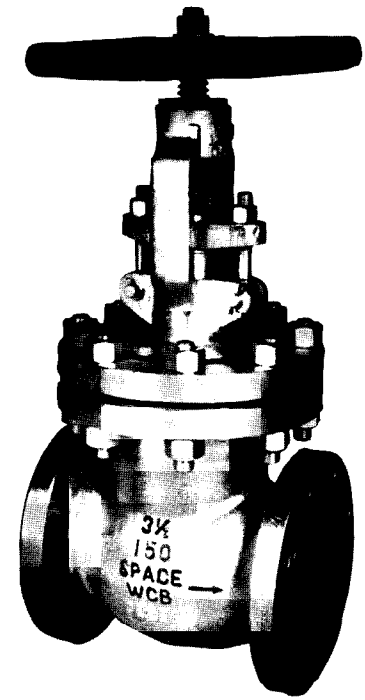
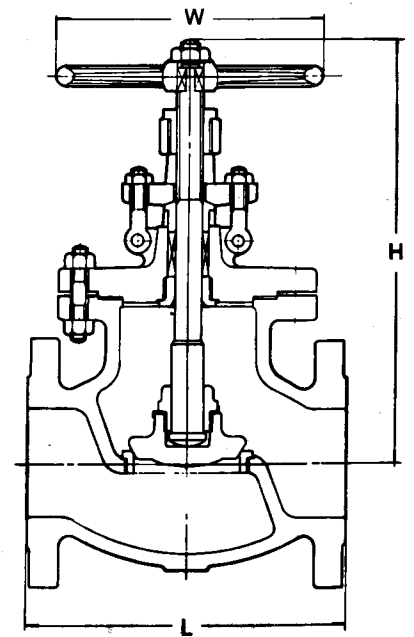


FIGURE 15031B

PART	MATERIALS	ASTM SPEC.
Body	Carbon steel	A216 Gr. WCB
Bonnet	Carbon steel	A216 Gr. WCB
Yoke	Carbon steel	A216 Gr. WCB
Disc	Carbon steel	A216 Gr. WCB
Disc facing	Bronze	B62
Disc nut	Bronze	B62
Seat ring	Bronze	B62
Stem	Brass	B124 Type 377
Yoke nut	Ductile Iron	A439 TY D2
Back-seat bushing	Bronze	B62
Gland	Bronze	B62
Gland flange	Carbon steel	A216 Gr. WCB
Gland bolt	Steel	A193-B7
Gland bolt nut	Steel	A194-2H
Bonnet stud bolt	Steel	A193-B7
Bonnet stud bolt nut	Steel	A194-2H
Bonnet gasket	Non Asbestos	Commercial
Stem packing	Graphite	Commercial
Handwheel	Ductile Iron	A395
Handwheel nut	Brass	B16



DIMENSIONS IN INCHES:

SIZE	2"	2½"	3"	3½"	4"	5"	6"	8"	10"	12"
L Face to Face RF-BW	8	8½	9½	10½	11½	14	16	19½	24½	27½
H Height (Open)	13¾	15	17½	17¾	18¾	19¾	22¾	29¾	32¾	40
W Handwheel Diam.	8	8	9	10	11	12½	14	16	18	20
Weight RF (lbs)	51	64	90	115	141	197	254	373	631	893