

SPACE

ANGLE VALVE

150 LB

CR13/HF TRIM

APPLICABLE STANDARDS

Steel Valves, ANSI B16.34-1977, Standard Class
 Face-to-face, End-to-end, ANSI B16.10
 End Flanges, ANSI B16.5
 Weld Ends, ANSI B16.25

PART	MATERIALS	ASTM SPEC.
Body	Carbon steel	A216 Gr. WCB
Bonnet	Carbon steel	A216 Gr. WCB
Yoke	Carbon steel	A216 Gr. WCB
Disc	CR13	A276 TY 410
Disc nut	CR13	A276 TY 410
Seat ring	CR13	HF Faced
Stem	CR13	A276 TY 410
Yoke nut	Ductile Iron	A439 D2
Back-seat bushing	CR13	A276 TY 410
Gland	CR13	A276 TY 410
Gland flange	Carbon steel	A216 Gr. WCB
Gland bolt	Steel	A193-B7
Gland bolt nut	Steel	A194-2H
Bonnet stud bolt	Steel	A193-B7
Bonnet stud bolt nut	Steel	A194-2H
Bonnet gasket	Non Asbestos	Commercial
Stem packing	Graphite	Commercial
Handwheel	Ductile Iron	A395
Handwheel nut	Brass	B16

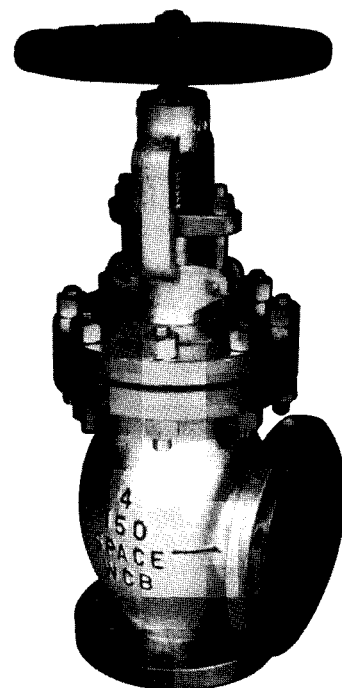
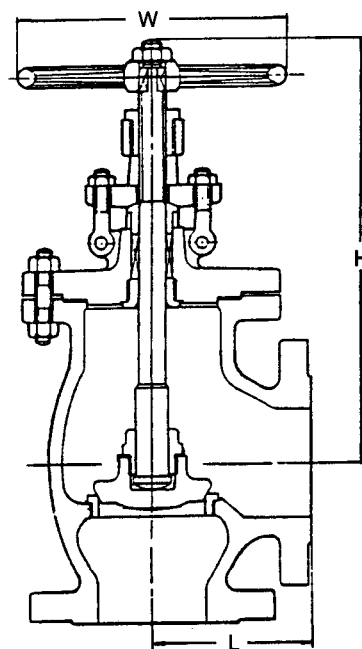


FIGURE 15041C



DIMENSIONS IN INCHES:

SIZE	2"	2½"	3"	3½"	4"	5"	6"	8"	10"	12"	14"	16"	18"	20"	24"
L Face to Face RF-BW	4	4¼	4¾	5½	5¾	7	8	9¾	12¼	13¾	15½	18			
H Height (Open)	11	12½	13	13½	14¾	16½	17	19	21	24	28	31			
W Handwheel Diam.	6	8	8	10	10	11	12	14	16	18	22	25			
Weight RF (lbs)	51	64	90	111	141	197	254	373	631	893	1100	1400			