

# SPACE

## ANGLE VALVE

150 LB

BRONZE TRIM

### APPLICABLE STANDARDS

Steel Valves, ANSI B16.34-1977, Standard Class  
 Face-to-face, End-to-end, ANSI B16.10  
 End Flanges, ANSI B16.5  
 Weld Ends, ANSI B16.25

PART	MATERIALS	ASTM SPEC.
Body	Carbon steel	A216 Gr. WCB
Bonnet	Carbon steel	A216 Gr. WCB
Yoke	Carbon steel	A216 Gr. WCB
Disc	Carbon steel	A216 Gr. WCB
Disc facing	Bronze	B62
Disc nut	Bronze	B62
Seat ring	Bronze	B62
Stem	Brass	B124 Type 377
Yoke nut	Ductile Iron	A439 D2
Back-seat bushing	Bronze	B62
Gland	Bronze	B62
Gland flange	Carbon steel	A216 Gr. WCB
Gland bolt	Steel	A193-B7
Gland bolt nut	Steel	A194-2H
Bonnet stud bolt	Steel	A193-B7
Bonnet stud bolt nut	Steel	A194-2H
Bonnet gasket	Non Asbestos	Commercial
Stem packing	Graphite	Commercial
Handwheel	Ductile Iron	A395
Handwheel nut	Brass	B16

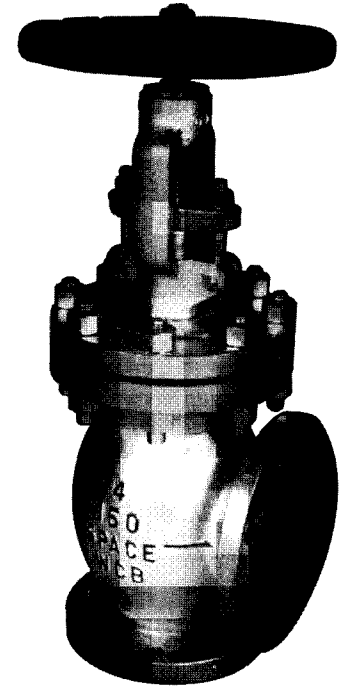
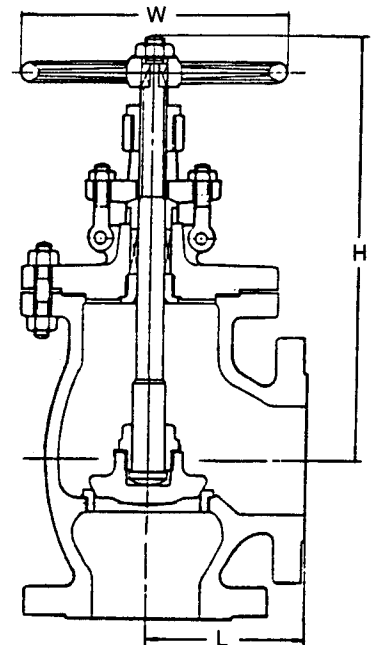


FIGURE 15041B



### DIMENSIONS IN INCHES:

SIZE	2"	2½"	3"	3½"	4"	5"	6"	8"	10"	12"	14"	16"	18"	20"	24"
L Face to Face RF-BW	4	4¼	4¾	5¼	5¾	7	8	9¾	12¼	13¾	15½	18			
H Height (Open)	11	12½	13	13¾	14½	16½	17	19	21	24	28	31			
W Handwheel Diam.	6	8	8	10	10	11	12	14	16	18	22	25			
Weight RF (lbs)	51	64	90	111	141	197	254	373	631	893	1100	1400			