

# PRECISION INSTRUMENT COMPANY

## 'HOSE' SERIES HOSE TEST GAUGES

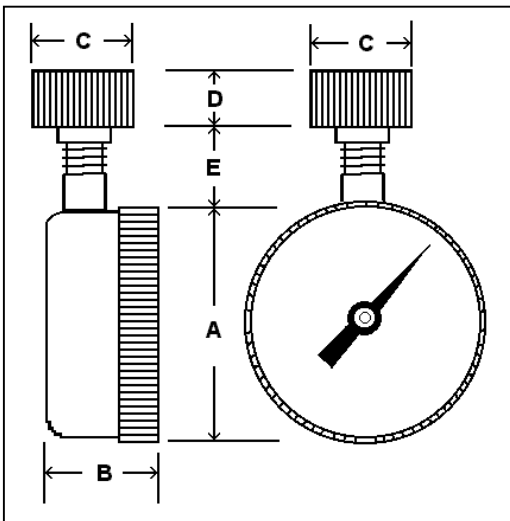
### SPECIFICATIONS:

- **GAUGE: 0-300 PSI**  
 2 1/2" Dial Size Black Plastic Case  
 Bourdon Tube Type Pressure Gauge  
 Brass Bourdon Tube And Socket  
 Plastic Lens  
 3-2-3 % Accuracy  
 Top Connection  
 3/4" Female Brass Hose Coupling & Tail Piece  
 With Rubber Washer
- \*\* **Available with or without  
 Maximum Indicating Pointer**



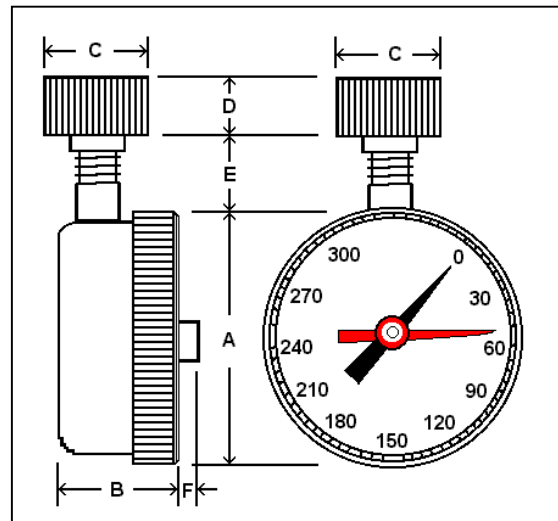
### DIMENSIONS:

#### 'HOSE'



	INCHES	MM
A	2.56	65
B	1.21	31
C	1.14	29
D	.57	14.5
E	1.22	31

#### 'HOSE-MAX'



	INCHES	MM
A	2.83	72
B	1.18	31
C	1.14	29
D	.57	14.5
E	1.22	31
F	.2	5