

PRECISION INSTRUMENT COMPANY

MODEL 'SEC301L', LIQUID FILLED GAUGES

Our '300' Series Gauge Line Is A High Quality Line Of Liquid Filled Gauges. The Glycerine Filling Helps Dampen The Effects Of Pulsation And Vibration, While Also Perpetually Lubricating The Movement (And Keeping Contaminates Such As Dirt Away From All Moving Parts) Which Will Extend The Life Of The Gauge.

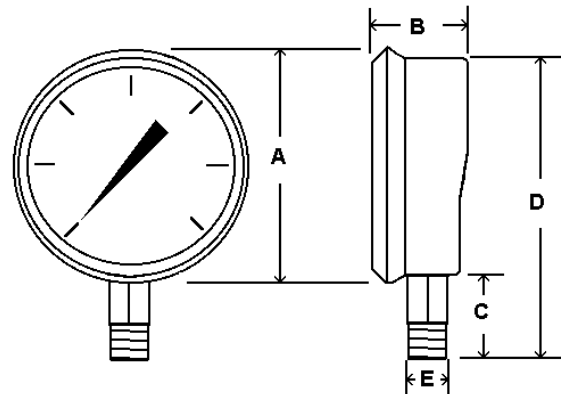
This Gauge Has Been Specifically Designed With The Original Equipment Manufacturers In Mind And Are Typically Used On Hydraulic & Pneumatic Systems As Well As Any Commercial Or Industrial Application Not Corrosive To 316LSS Wetted Parts Where Glycerine Filling Is Suitable For Use.

SPECIFICATIONS:

- Available Dial Sizes: 2 ½"
- Available Connection Sizes:
1/4" MNPT on 2 ½"
- Stainless Steel Case And Bezel
- SS Internals
- 316 SS Bourdon Tube & Connection
- Liquid Filled (Dry Available)
- Accuracy : 2 ½" Dial Size = 1.5 %
- Dual Scale: PSI & Bar (x100=kPa)
(Single Scale available)
- Ambient temperature: FILLED: 30°F to 160°F
DRY: -30°F to 180°F



RANGE	CODE	Major In	Minor In
30/0"VAC	A	5	0.5
30/0/15	CB	5	0.5
30/0/30	CC	10	1
30/0/60	CD	10	1
30/0/100	CE	20	2
30/0/150	CF	20	2
30/0/300	CH	50	10
0/15	B	2	0.2
0/30	C	5	0.5
0/60	D	10	1
0/100	E	20	2
0/160	F	20	2
0/200	G	40	4
0/300	H	50	5
0/400	I	50	5
0/500	J	100	10
0/600	K	100	10
0/800	L	100	10
0/1000	M	200	20
0/1500	N	200	20
0/2000	O	400	50
0/3000	P	500	50
0/4000	Q	500	50
0/5000	R	1000	100
0/6000	S	2000	200
0/10,000	U	2000	200
0/15,000	V	2000	200



		A	B	C	D	E
2 ½" Dial	In	2.80	1.28	1.07	3.55	1/4"
	MM	71	33	27	90	Npt