

# PRECISION INSTRUMENT COMPANY

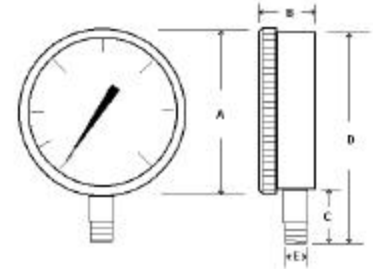
## AMMONIA GAUGES

### Steel Case and Internal Dry Type Ammonia Gauges

#### SPECIFICATIONS:

##### "401A" DRY

- 2 1/2" or 3 1/2" Dial Size In Stock
- 1/4" npt Connections
- Grey Painted Steel Case  
\*(Chrome Plated Steel Case Available)
- Plastic Screw on Lens
- Steel Internals & Connection
- Dry Only
- 1.6 % Accuracy



"401A" SERIES DRY GAUGE

Size	2 1/2" Dial		3 1/2" Dial	
	Inches	mm	Inches	mm
A	2.82"	71.72	3.87"	98.37
B	1.18"	30.14	1.24"	31.73
C	.88"	22.47	.92"	23.58
D	3.49"	88.67	4.6"	117.05
E	1/4" NPT		1/4" NPT	

DIAL	DIAL RANGE (PSI w/ Fahrenheit Equivalent)			
PART NUMBERS	SIZE	PRESSURE	TEMPERATURE	Dry/Filled
401A-254CF	2 1/2"	30/0/150	-40-85' F	DRY
401A-254CH	2 1/2"	30/0/300	-40-125' F	DRY
401A-354CF	3 1/2"	30/0/150	-40-85' F	DRY
401A-354CH	3 1/2"	30/0/300	-40-125' F	DRY

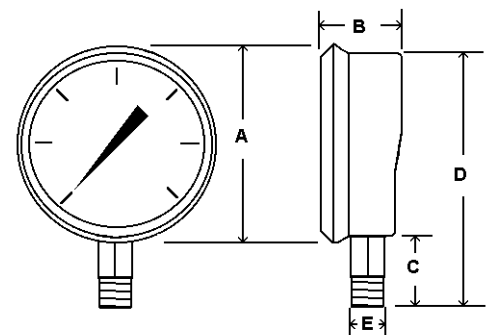
### All Stainless Steel Liquid Filled Ammonia Gauges

#### SPECIFICATIONS:

##### "AMMONIA-LF" LIQUID FILLED

- 2 1/2" or 4" Dial Size in Stock
- 1/4" npt Connection
- Stainless Steel Case & Bezel
- Polycarbonate Lens
- 316SS Internals & Connection
- Liquid Filled (Dry Available)
- 1 % ACCURACY

Dual Scale:  
PSI = Black  
Temp = Red



"AMMONIA-LF" LIQUID FILLED VERSION

Size	2 1/2"		4"	
	Inches	mm	Inches	mm
A	2.73"	69.40	4.34"	110.41
B	1.36"	34.55	1.62"	41.24
C	1.00"	25.40	5.30"	134.69
D	3.46"	88.00	1.47"	37.39
E	1/4" NPT		1/4" NPT	

DIAL	DIAL RANGE (PSI w/ Fahrenheit Equivalent)			
PART NUMBERS	SIZE	PRESS	TEMP.	Dry/Filled
AMMONIA-LF-254CF	2 1/2"	30/0/150	-40-85' F	FILLED
AMMONIA-LF-254CH	2 1/2"	30/0/300	-40-125' F	FILLED
AMMONIA-LF-404CF	4"	30/0/150	-40-85' F	FILLED
AMMONIA-LF-404CH	4"	30/0/300	-40-125' F	FILLED