

Newco® Trunnion Ball

2" thru 24" • ASME 150 thru 1500

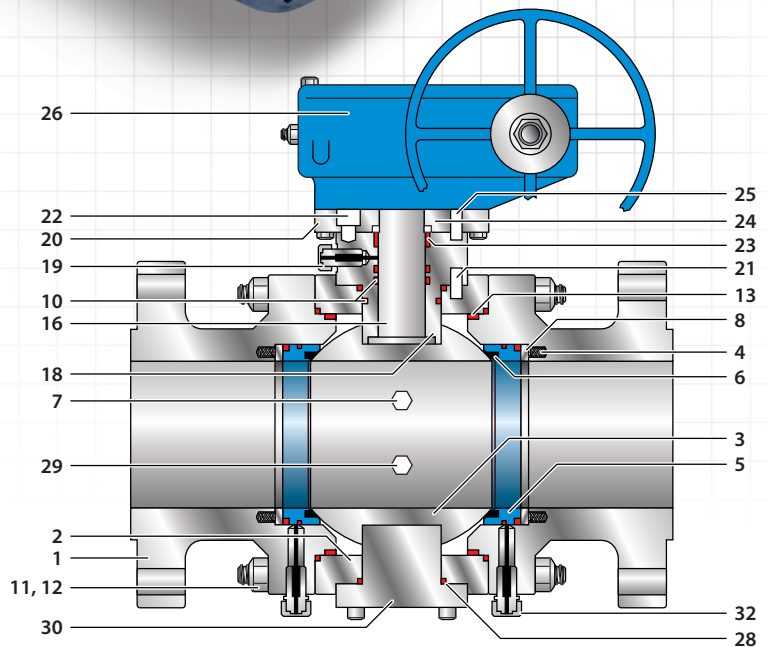
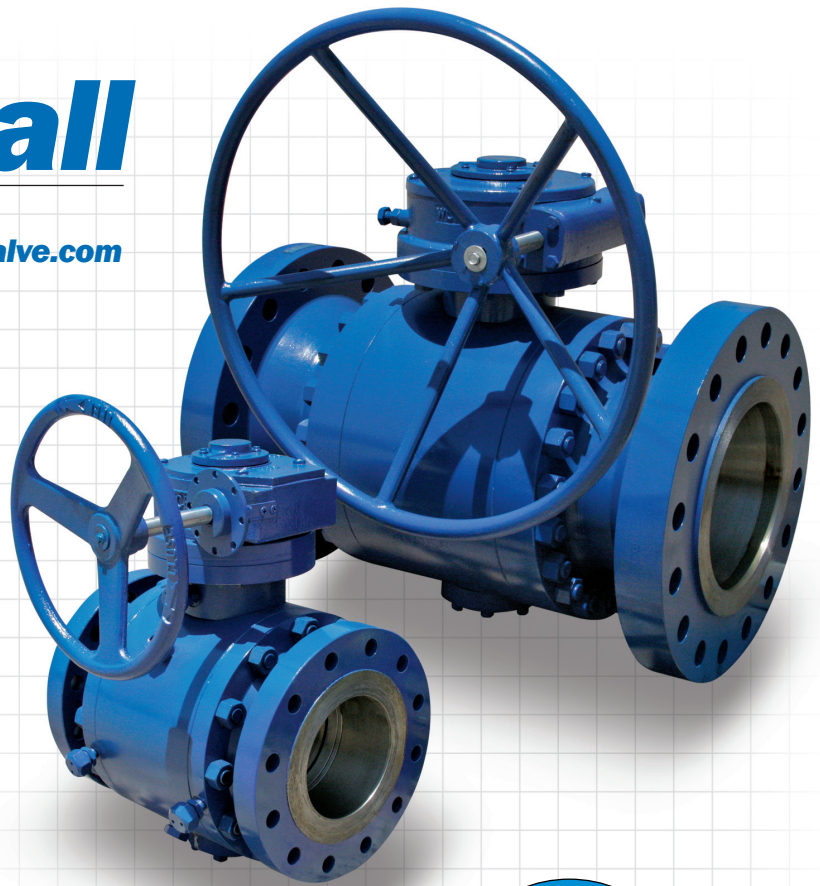
Phone: 1.800.231.3505 • www.NewmansValve.com

Meets/exceeds CSA requirements. Fire safe design

Basic Design	ASME B16.34/API 6D
Face-to-Face Dimension	API 6D
Flanged End Dimension	ASME B16.5
Inspected & Tested to	API 6D
Certifications	ISO 9001/Canadian CRN

Benefits at a Glance

- Full port
- Hardened surface options
- 2" thru 24" full or standard bore
- ASME Classes 150 thru 1500
- Heavy-duty forged 3-piece body
- Trunnion design
- API 6D face-to-face
- Flanged or weld-end
- A105, LF2, or 316 SS body
- NACE compliant trims
- Body vent or flush and drain
- Blow-out proof stem
- Corrosion resistant bearings
- Secondary stem & seat seal system
- Anti-static protection
- Independent seat rings
- Wide variety of seating options
- Inconel seat springs
- Bi-directional seating
- Firesafe design
- Graphite gaskets and seals
- Double block & bleed option
- ISO 5211 actuator mounting pad
- 100% tested in accordance to API 6D
- Easy to service



Heavy-duty Seat Rings

- Spring loaded/pressure energized
- Variety of inserts with metal back-up
- Metal-to-metal options
- Hardened surface options
- Field replaceable

Typical Bill of Materials

Item #	Part Name	Material	Item #	Part Name	Material
1	Body flange	ASTM A105	17	Stem bearing	R-PTFE
2	Body	ASTM A105	18	Stuffing box	ASTM A105
3	Ball	ASTM A276 Type 316	19	Injection fitting	Carbon steel
4	Spring	Inconel X-750	20	Adaptor flange	Carbon steel
5	Seat ring	ASTM A276 type 316	21	Pin	Carbon steel
6	Seat	R-PTFE	22	Screw	ASTM193 - B7M
7	Vent valve	ASTM A182 Type 316	23	Packing	Flex graphite
8	Plate	ASTM A276 type 316	24	Gland	ASTM A182 Type 316
9	Seat gasket	Graphite	25	Pin	Carbon steel
10	O-ring	Viton	26	Gear	ASTM A216 GR. WCB
11	Body stud	ASTM 193 - B7M	27	Screw	ASTM A182 F304
12	Body nut	ASTM 194 - 2HM	28	Gasket	316 + graphite
13	Body gasket	316 + graphite	29	Drain plug	ASTM A182 Type 304
14	Antistatic	ASTM A276 type 316	30	Trunnion	ASTM A105
15	Bearing	304 + PTFE	31	O-ring	Viton
16	Stem	ASTM A182 Type 316	32	Injection fitting	Carbon steel