

Saturn® 92-100 Series

Carbon Steel Uni-Body Saturn® Ball Valve

Threaded, 1/4" to 1" 2000 psig WOG, 1-1/4" to 2" 1500 psig WOG, Cold Non-Shock. 150 psig Saturated Steam. Vacuum Service to 29 inches Hg.

Federal Specification: WW-V-35C, Type: II, Composition: CS, Style: 3.

MSS SP-110; Ball Valves Threaded, Socket-Welding, Solder Joint, Grooved and Flared Ends.

FEATURES

- (-24) Certified to API standard 607, 4th Edition, Class 600 burn
- Investment cast body
- RPTFE seats and seals
- Blow-out-proof stem design
- Nitride corrosion protection
- Adjustable packing gland
- Meets NACE MR-01-75 with SS trim
- Chromium plated ball
- Compact

STANDARD MATERIAL LIST

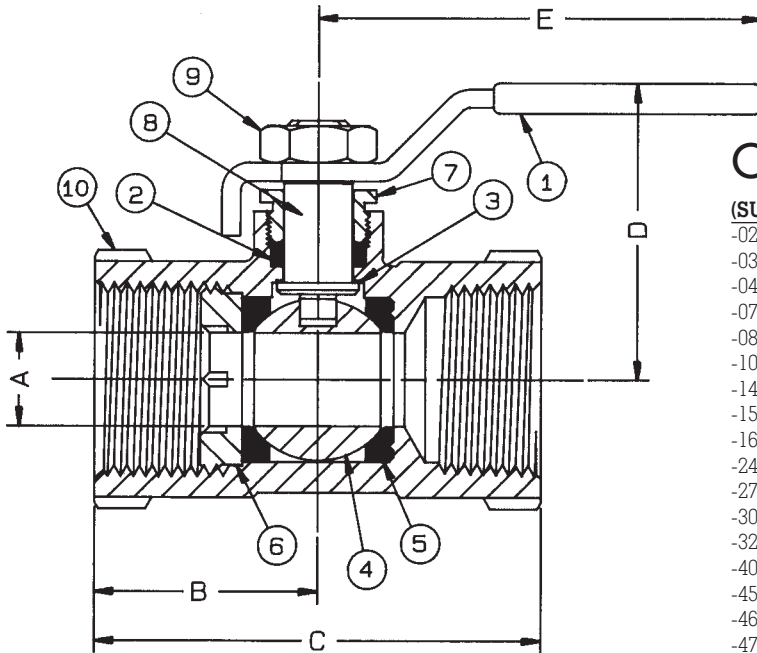
1. Lever and grip	Steel, zinc plated w/vinyl	6. Retainer	A108-CS
2. Stem packing	RPTFE	7. Gland nut	A108-CS
3. Stem bearing	RPTFE	8. Stem	A108-CS
4. Ball	A108-CS, chrome plated	9. Lever nut (Screw 1/4" to 1/2")	Steel, zinc plated
5. Seat (2)	RPTFE	10. Body	A216-WCB

VARIATIONS AVAILABLE:

92-140 Series (316 SS Ball & Stem)

OPTIONS AVAILABLE:

(SUFFIX) OPTION	SIZES	
-02-	Static Grounded	1/4" to 2"
-03-	1-1/4" CS Stem Extension	1/4" to 2"
-04-	2-1/4" CS Stem Extension	1/4" to 2"
-07-	Steel Tee Handle	1/4" to 2"
-08-	90° Reversed Stem	3/4" to 2"
-10-	SS Lever & Nut	1/4" to 2"
-14-	Side Vented Ball (Uni-Directional)	1/4" to 2"
-15-	Wheel Handle, Steel	1/4" to 2"
-16-	Chain Lever - Vertical	1" to 2"
-24-	Graphite Packing	1/4" to 2"
-27-	SS Latch-Lock Lever & Nut	1/4" to 2"
-30-	Cam-Lock Handle & Grounded	1/4" to 2"
-32-	SS Tee Handle & Nut	1/4" to 2"
-40-	Cyl-Loc & Grounded	3/4" to 2"
-45-	Less Lever & Nut	1/4" to 2"
-46-	Latch Lock Lever - Lock in Closed Position Only	1/2" to 2"
-47-	SS Oval Latch-Lock Handle & Nut	1/4" to 1-1/4"
-48-	SS Oval Handle	1/4" to 2"
-50-	2-1/4" CS Locking Stem Extension	3/4" to 2"
-58-	Chain Lever - Horizontal	1" to 2"
-60-	Grounded Ball & Stem	3/4" to 2"
-65-	Multifill Seats & Graphite Packing	1/4" to 2"
-P01-	BSP (Parallel) Thread Connection	1/4" to 2"
-T01-	BSPT (Tapered) Thread Connection	1/4" to 2"



CARBON STEEL UNI-BODY
SATURN® BALL VALVE

NUMBER	SIZE	A	B	C	D	E	Wt.
92-101-01	1/4"	.38	1.14	2.21	1.64	3.87	.49
92-102-01	3/8"	.38	1.14	2.21	1.64	3.87	.49
92-103-01	1/2"	.38	1.14	2.21	1.64	3.87	.49
92-104-01	3/4"	.50	1.34	2.70	1.78	3.87	.76
92-105-01	1"	.63	1.51	3.03	2.00	4.78	1.21
92-106-01	1-1/4"	.81	1.79	3.62	2.18	4.78	1.95
92-107-01	1-1/2"	1.00	1.95	4.00	2.69	5.43	2.92
92-108-01	2"	1.25	2.28	4.73	2.91	5.43	4.73

**For Pressure/Temperature Ratings,
Refer to Page M-12, Graph No. 13
(1/4" to 1")
Refer to Page M-11, Graph No. 11
(1-1/4" to 2")**