

Saturn® 91-100 Series

Bronze Uni-Body Saturn® Ball Valve

Threaded, 400 psig WOG, Cold Non-Shock. 150 psig Saturated Steam.

Federal Specification: WW-V-35C, Type: II, Composition: BZ, Style: 3.

MSS SP-110; Ball Valves Threaded, Socket-Welding, Solder Joint, Grooved and Flared Ends.

FEATURES

- Compact
- RPTFE seats and seals
- One piece bronze body
- Blow-out-proof stem design
- Adjustable packing gland
- Chromium plated ball

STANDARD MATERIAL LIST

| | | | |
|-------------------|----------------------------|-----------------------------------|--------------------|
| 1. Lever and grip | Steel, zinc plated w/vinyl | 6. Retainer | B16 |
| 2. Stem packing | RPTFE | 7. Gland nut | B16 |
| 3. Stem bearing | RPTFE | 8. Stem | B16 |
| 4. Ball | B16, chrome plated | 9. Lever nut (Screw 1/4" to 1/2") | Steel, zinc plated |
| 5. Seat (2) | RPTFE | 10. Body | B584-C84400 |

VARIATIONS AVAILABLE:

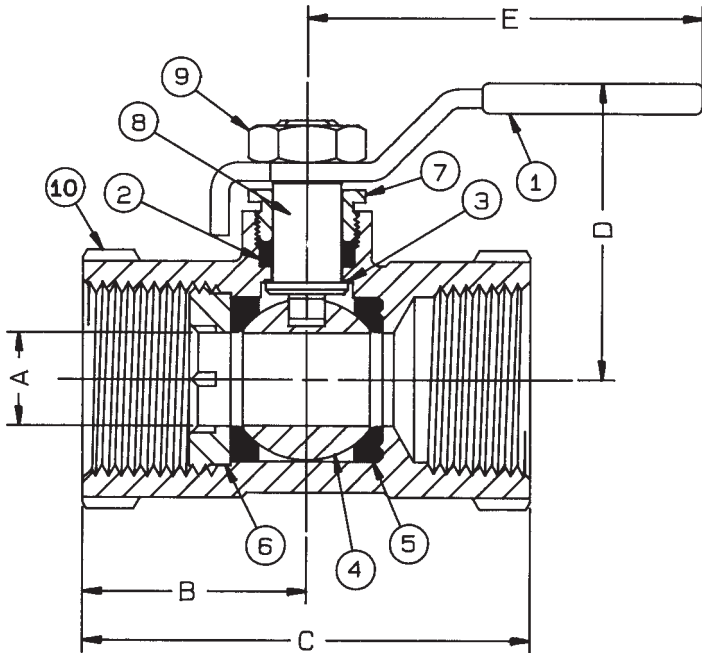
91-120 Series (Adjustable Stop Lever)

91-140 Series (316 SS Ball & Stem)

91-150 Series (Original Balancing Stop)

OPTIONS AVAILABLE:

| (SUFFIX) | OPTION | SIZES |
|----------|---|----------------|
| -02- | Static Grounded | 1/4" to 2" |
| -03- | 1-1/4" CS Stem Extension | 1/4" to 2" |
| -04- | 2-1/4" CS Stem Extension | 1/4" to 2" |
| -05- | Plain Ball | 1/4" to 2" |
| -07- | Steel Tee Handle | 1/4" to 2" |
| -08- | 90° Reversed Stem | 3/4" to 2" |
| -10- | SS Lever & Nut | 1/4" to 2" |
| -14- | Side Vented Ball (Uni-Directional) | 1/4" to 2" |
| -15- | Wheel Handle, Steel | 1/4" to 2" |
| -16- | Chain Lever - Vertical | 1" to 2" |
| -17- | Rough Chrome Plated - Bronze Valves | 1/4" to 2" |
| -20- | Slot Vented Ball (Bi-Directional) - Bronze Valves | 1/4" to 2" |
| -24- | Graphite Packing | 1/4" to 2" |
| -27- | SS Latch-Lock Lever & Nut | 1/4" to 2" |
| -30- | Cam-Lock Handle & Grounded | 1/4" to 2" |
| -32- | SS Tee Handle & Nut | 1/4" to 2" |
| -40- | Cyl-Loc & Grounded | 3/4" to 2" |
| -45- | Less Lever & Nut | 1/4" to 2" |
| -46- | Latch Lock Lever - Lock in Closed Position Only | 1/2" to 2" |
| -47- | SS Oval Latch-Lock Handle & Nut | 1/4" to 1-1/4" |
| -48- | SS Oval Handle | 1/4" to 2" |
| -49- | Assembled Dry | 1/4" to 2" |
| -50- | 2-1/4" CS Locking Stem Extension | 3/4" to 2" |
| -57- | Oxygen Cleaned | 1/4" to 2" |
| -58- | Chain Lever - Horizontal | 1" to 2" |
| -60- | Grounded Ball & Stem | 3/4" to 2" |
| -P01- | BSPP (Parallel) Thread Connection | 1/4" to 2" |
| -T01- | BSPT (Tapered) Thread Connection | 1/4" to 2" |



BRONZE UNI-BODY SATURN® BALL VALVE

| NUMBER | SIZE | A | B | C | D | E | Wt. |
|-----------|--------|------|------|------|------|------|------|
| 91-101-01 | 1/4" | .38 | 1.14 | 2.15 | 1.71 | 3.87 | .53 |
| 91-102-01 | 3/8" | .38 | 1.14 | 2.15 | 1.71 | 3.87 | .53 |
| 91-103-01 | 1/2" | .38 | 1.14 | 2.15 | 1.71 | 3.87 | .53 |
| 91-104-01 | 3/4" | .50 | 1.36 | 2.61 | 1.78 | 3.87 | .82 |
| 91-105-01 | 1" | .63 | 1.50 | 2.90 | 2.02 | 4.78 | 1.25 |
| 91-106-01 | 1-1/4" | .81 | 1.79 | 3.50 | 2.18 | 4.78 | 1.98 |
| 91-107-01 | 1-1/2" | 1.00 | 1.96 | 3.79 | 2.70 | 5.43 | 2.99 |
| 91-108-01 | 2" | 1.25 | 2.29 | 4.42 | 2.92 | 5.43 | 4.64 |

**For Pressure/Temperature Ratings,
Refer to Page M-8, Graph No. 3**