



95-100 Series

Bronze Full Port Stop and Drain Ball Valve

Threaded, 400 psig WOG, Cold Non-Shock.

Federal Specification: WW-V-35C, Type: II, Composition: BZ, Style: 3.

MSS SP-110; Ball Valves Threaded, Socket-Welding, Solder Joint, Grooved and Flared Ends.

FEATURES

- Chromium plated ball
- RPTFE seats and stuffing box ring
- Drain cap designed to prevent loss
- Blow-out-proof stem design
- Adjustable packing gland
- Rugged construction

STANDARD MATERIAL LIST

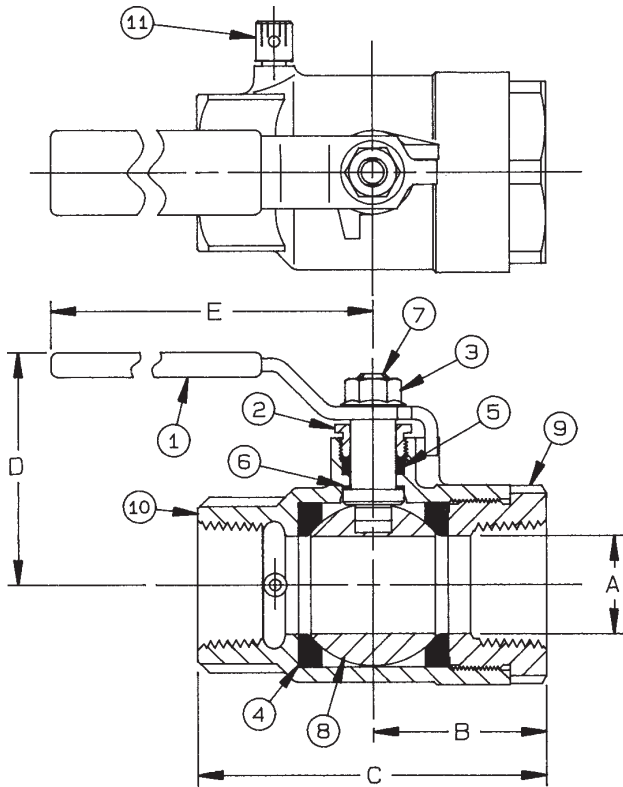
1. Lever and grip	Steel, zinc plated w/vinyl	7. Stem	B16
2. Gland screw	B16	8. Ball	B16, chrome plated
3. Lever nut	Zinc plated steel	9. Retainer	B16
4. Seat (2)	RPTFE	10. Body	B584-C84400
5. Stem packing	RPTFE	11. Cap and seal	B16 and EPR
6. Stem bearing	RPTFE		

VARIATIONS AVAILABLE:

95-120 Series (Adjustable Stop Lever)

OPTIONS AVAILABLE:

(SUFFIX)	OPTION	SIZES
-07-	Steel Tee Handle	1/2" to 1"
-08-	90° Reversed Stem	1/2" to 1"
-10-	SS Lever & Nut	1/2" to 1"
-14-	Side Vented Ball (Uni-Directional)	1/2" to 1"
-15-	Wheel Handle, Steel	1/2" to 1"
-18-	Plain Yellow Grip	1/2" to 1"
-20-	Slot Vented Ball	1/2" to 1"
-27-	SS Latch-Lock Lever & Nut	1/2" to 1"
-32-	SS Tee Handle & Nut	1/2" to 1"
-45-	Less Lever & Nut	1/2" to 1"
-46-	Latch Lock Lever - Lock Close Only	1/2" to 1"
-48-	SS Oval Handle (No Latch) & Nut	1/2" to 1"
-49-	Assembled Dry	1/2" to 1"
-63-	Threaded x Solder Retainer	1/2" to 1"



BRONZE FULL PORT STOP AND DRAIN BALL VALVE

NUMBER	SIZE	A	B	C	D	E	Wt.
95-103-01	1/2"	.50	1.09	2.18	1.75	3.87	.63
95-104-01	3/4"	.81	1.56	3.12	2.15	4.87	1.39
95-105-01	1"	1.00	1.81	3.62	2.43	4.87	1.70

**For Pressure/Temperature Ratings,
Refer to Page M-8, Graph No. 3**