



# 89-ARX Series

## Carbon Steel Std. Port Ball Valve with Actuator Ready ISO Mounting Pad

Threaded, 1/4"-1" 2000 psig WOG, 1-1/4"-2" 1500 psig WOG, 2-1/2"-3" 1000 psig WOG. (See referenced P/T chart) 1000 psig WOG, Cold Non-Shock. 250 psig Saturated Steam.

Vacuum Service to 29 inches Hg.

Federal Specification: WW-V-35C, Type: II, Composition: CS, Style: 3.

MSS SP-110; Ball Valves Threaded, Socket-Welding, Solder Joint, Grooved and Flared Ends.

### FEATURES

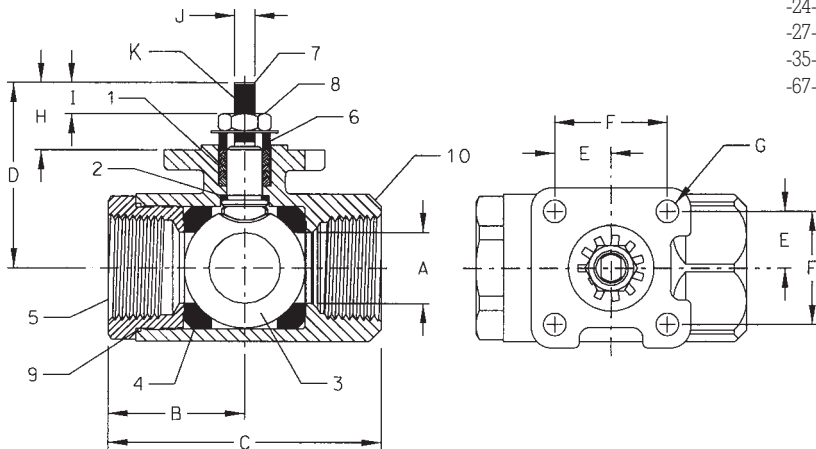
- Multi-piece packing set
- ISO 5211 mounting pad
- Stainless ball & stem
- Blow-out-proof stem design
- Adjustable packing gland
- Live loaded packing

### STANDARD MATERIAL LIST

1. Stem packing	MPTFE	6. Gland	A276-316
2. Stem bearing	RYTON	7. Stem	A276-316
3. Ball	316 SS	8. Jam nut	SS
4. Seat (2)	MPTFE	9. Body seal	PTFE (1-1/4" to 3")
5. Retainer	A108-CS (1/4" to 3")	10. Body	A216-WCB
		11. Bellville washer(s)	SS

### OPTIONS AVAILABLE:

(SUFFIX)	OPTION	SIZES
-14-	Side Vented Ball (Uni-Directional)	1/4" to 3"
-24-	Graphite Packing	1/4" to 3"
-27-	Latch Lock Handle	1/4" to 2"
-35-	PTFE Seats	1/4" to 3"
-67-	Cleaned for Industrial Gases - CS Valves	1/4" to 3"



**For Pressure/Temperature Ratings,  
Refer to Page M-12 Graph No. 13  
(1/4" to 1")  
Refer to Page M-11, Graph No. 11  
(1-1/4" to 2")  
Refer to Page M-10, Graph No. 7  
(2-1/2" to 3")**

### CARBON STEEL STD. PORT BALL VALVE WITH ISO MOUNTING PAD

NUMBER	SIZE	A	B	C	D	E	F	G	H	I	J (FLATS)	K (THRDS.) UNF	WT.
89-AR1-64	1/4"	.37	1.02	2.04	1.40	.59	1.17	.28	.61	.25	.247/.249	3/8-24	.52
89-AR2-64	3/8"	.37	1.02	2.04	1.40	.59	1.17	.28	.61	.25	.247/.249	3/8-24	.49
89-AR3-64	1/2"	.50	1.12	2.23	1.54	.59	1.17	.28	.61	.22	.247/.249	3/8-24	.58
89-AR4-64	3/4"	.68	1.47	2.96	2.16	.70	1.39	.28	.84	.33	.247/.249	3/8-24	1.26
89-AR5-64	1"	.87	1.66	3.34	2.28	.70	1.39	.28	.84	.32	.247/.249	3/8-24	1.62
89-AR6-64	1-1/4"	1.00	2.00	4.00	2.98	.98	1.95	.34	1.16	.43	.370/.372	5/8-18	3.22
89-AR7-64	1-1/2"	1.25	2.18	4.34	3.16	.98	1.95	.34	1.16	.38	.370/.372	5/8-18	4.06
89-AR8-64	2"	1.50	2.75	5.43	3.37	.98	1.95	.34	1.16	.47	.370/.372	5/8-18	6.18
89-AR9-64	2-1/2"	2.00	3.12	6.25	3.85	.98	1.95	.34	1.16	.41	.370/.372	5/8-18	13.06
89-AR0-64	3"	2.50	3.37	6.75	4.18	.98	1.95	.34	1.16	.55	.370/.372	5/8-18	17.06