



87A-700 Series

Stainless Steel ANSI Class 300 Flanged Std. Port Ball Valve - 1-1/2" through 2"

STANDARDS COMPLIANCE

Refer to page D-A

STANDARD FEATURES

Refer to page D-A

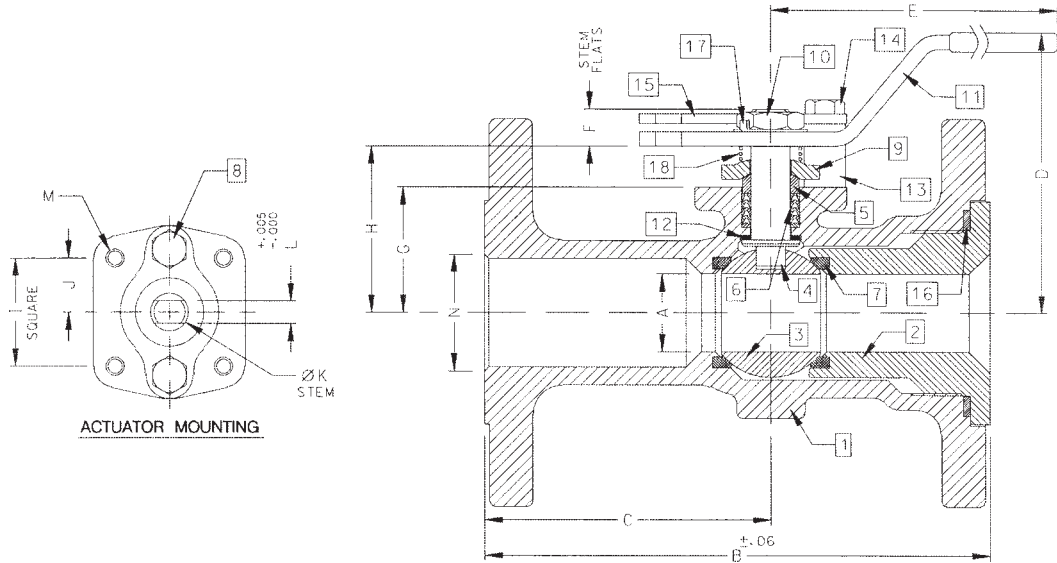
MATERIALS OF CONSTRUCTION

| Description | Material |
|----------------------|------------------------------|
| 1. Body | ASTM A351 CF8M |
| 2. Retainer | ASTM A276 Type 316 |
| 3. Ball | ASTM A276 Type 316 |
| 4. Stem | ASTM A276 Type 316 |
| 5. Packing Gland | ASTM A276 Type 316 |
| 6. Stem Seals | PTFE |
| 7. Seats | RPTFE |
| 8. Gland Screws | ASTM A193 B8 Class 1 |
| 9. Gland Plate | 302 & 304 SS |
| 10. Stem Nut | 316 SS |
| 11. Lever | 302 & 304 SS with Vinyl Grip |
| 12. Stem Bearing | RPTFE |
| 13. Stop | ASTM A276 Type 316 |
| 14. Stop Screw | 18-8 SS |
| 15. Lock Plate | 302 or 304 SS |
| 16. Body Seal | RPTFE |
| 17. Lockwasher | 302 or 304 SS |
| 18. Grounding Spring | SS |

OPTIONS AVAILABLE:

| (SUFFIX) | OPTION |
|----------|---|
| -01- | Standard |
| -14- | Side Vented Ball (See Page J-2) |
| -15- | Wheel Handle, Steel |
| -21- | UHMWPE Seats |
| -24- | Fire Safe (Graphite Packing and Seal) |
| -35- | PTFE Seats and Seals |
| -38- | PEEK Seats and Graphite Packing |
| -49- | Assembled Dry |
| -57- | Oxygen Cleaned |
| -60- | Grounded Ball and Stem |
| -65- | MPTFE Seats and Graphite Packing |
| -67- | Cleaned For Industrial Gases |
| -69- | Drilled and Tapped Purge Ports with Plugs |
| -70- | 4" Extended Bonnet |
| -73- | 316 SS Spiral Wound Gaskets w/PTFE Filler |
| -74- | 316 SS Spiral Wound Gaskets w/Graphite Filler |
| -76- | Live Loaded 87A/88A Series (Lever) |
| -80- | Multi-Seal (Super TFE) 87A/88A Series |

For Pressure/Temperature Ratings, Refer to Page M-9, Graph No. 6



| NUMBER | SIZE | A | B | C | D | E | F | G | H | I | J | K | L | M | N | WT. |
|-------------|--------|------|------|------|------|------|------|------|------|-------|-------|-------|-------|---------|------|------|
| 87A-707-01A | 1-1/2" | 1.25 | 7.50 | 4.50 | 4.85 | 6.53 | 0.47 | 1.85 | 2.38 | 1.392 | 0.696 | 0.500 | 0.287 | 1/4-20 | 1.50 | 15.7 |
| 87A-708-01 | 2" | 1.50 | 8.50 | 5.19 | 4.62 | 6.65 | 0.72 | 2.41 | 3.09 | 1.949 | 0.974 | 0.625 | 0.412 | 5/16-18 | 2.00 | 24.0 |



87A-700 Series

Stainless Steel ANSI Class 300 Flanged Std. Port Ball Valve - 2-1/2" through 3"

STANDARDS COMPLIANCE

Refer to page D-A

STANDARD FEATURES

Refer to page D-A

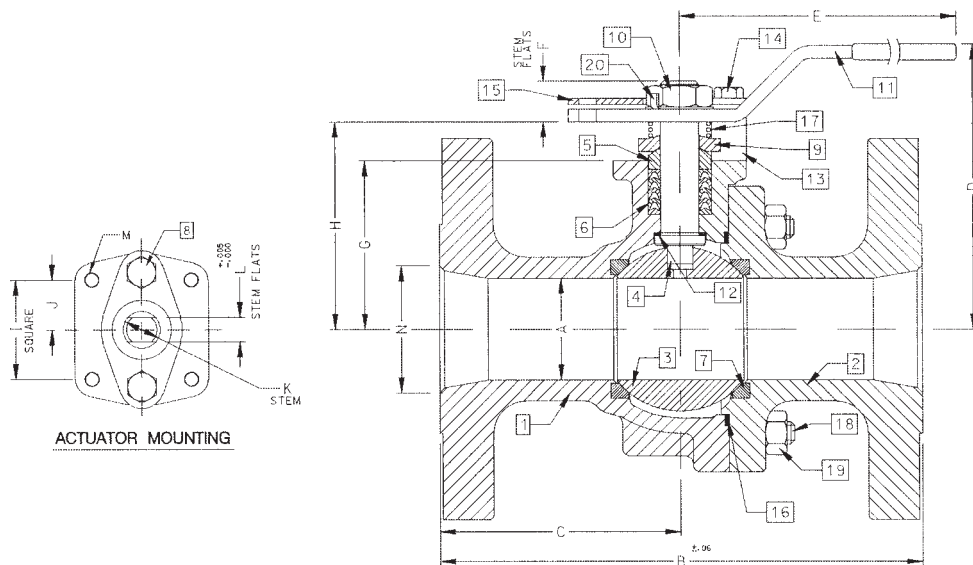
MATERIALS OF CONSTRUCTION

| Description | Material |
|----------------------|---------------------------------|
| 1. Body | ASTM A351 CF8M |
| 2. Retainer | ASTM A351 CF8M |
| 3. Ball | ASTM A276 Type 316 or A351 CF8M |
| 4. Stem | ASTM A276 Type 316 |
| 5. Packing Gland | ASTM A276 Type 316 |
| 6. Stem Seals | PTFE |
| 7. Seats | RPTFE |
| 8. Gland Screws | ASTM A193 B8 Class 1 |
| 9. Gland Plate | 316 SS |
| 10. Stem Nut | 18-8 SS |
| 11. Lever | 316 with Vinyl Grip |
| 12. Stem Bearing | RPTFE |
| 13. Stop | ASTM A276 Type 316 |
| 14. Stop Screw | 316 SS |
| 15. Lock Plate | 302 or 304 SS |
| 16. Body Seal | RPTFE |
| 17. Grounding Spring | SS |
| 18. Body Joint Stud | ASTM A193 Grade B8M |
| 19. Body Joint Nut | ASTM A194 Grade 8 |
| 20. Lockwasher | 302 or 304 SS |

OPTIONS AVAILABLE:

| (SUFFIX) | OPTION |
|----------|--|
| -01- | Standard |
| -14- | Side Vented Ball (Uni-Directional) |
| -21- | UHMWPE Seats |
| -24- | Fire Safe (Graphite Packing and Seal) |
| -35- | PTFE Seats and Seals |
| -38- | PEEK Seats and Graphite Packing |
| -49- | Assembled Dry |
| -57- | Oxygen Cleaned |
| -60- | Grounded Ball and Stem |
| -65- | MPTFE Seats and Graphite Packing |
| -67- | Cleaned For Industrial Gases |
| -69- | Drilled and Tapped Purge Ports with Plugs |
| -70- | 4" Extended Bonnet |
| -73- | 316 SS Spiral Wound Gaskets w/PTFE Filler |
| -74- | 316 SS Spiral Wound Gaskets w/Graphite Filler |
| -76- | Live Loaded 87A/88A Series (Lever) |
| -80- | Multi-Seal (Super TFE) 87A/88A Series |
| -MG- | Gear Operator with Standard Handwheel |
| -MH- | Gear Operator with Standard Handwheel & Locking Device |
| -MJ- | Gear Operator with Oversize Handwheel |
| -MK- | Gear Operator with Oversize Handwheel & Locking Device |

For Pressure/Temperature Ratings, Refer to Page M-9, Graph No. 6



| NUMBER | SIZE | A | B | C | D | E | F | G | H | I | J | K | L | M | N | WT. |
|------------|--------|------|-------|------|------|------|------|------|------|-------|-------|-------|-------|---------|------|------|
| 87A-709-01 | 2-1/2" | 2.00 | 9.50 | 4.75 | 5.61 | 8.41 | 0.80 | 3.31 | 4.08 | 1.949 | 0.974 | 0.750 | 0.477 | 5/16-18 | 2.50 | 39.0 |
| 87A-700-01 | 3" | 2.50 | 11.12 | 5.56 | 6.24 | 8.41 | 0.80 | 3.94 | 4.71 | 1.949 | 0.974 | 0.750 | 0.477 | 5/16-18 | 3.00 | 55.0 |



87A-700 Series

Stainless Steel ANSI Class 300 Flanged Std. Port Ball Valve - 4" through 8"

STANDARDS COMPLIANCE

Refer to page D-A

STANDARD FEATURES

Refer to page D-A

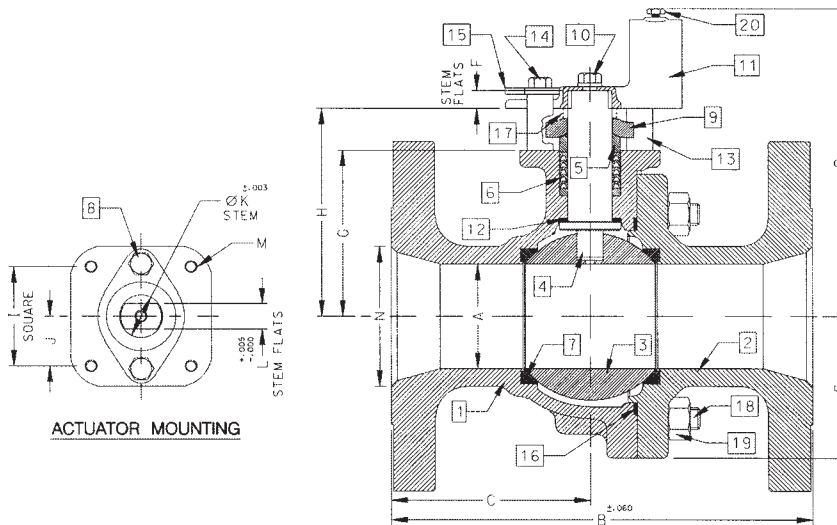
MATERIALS OF CONSTRUCTION

| Description | Material |
|----------------------|---------------------------------|
| 1. Body | ASTM A351 CF8M |
| 2. Retainer | ASTM A276 Type 316 |
| 3. Ball | ASTM A276 Type 316 or A351 CF8M |
| 4. Stem | ASTM A276 Type 316 |
| 5. Packing Gland | ASTM A276 Type 316 |
| 6. Stem Seals | PTFE |
| 7. Seats | RPTFE |
| 8. Gland Screws | ASTM A193 B8 Class 1 |
| 9. Gland Plate | 316 SS |
| 10. Adapter Screw | 18-8 SS |
| 11. Handle Adapter | 316 SS |
| 12. Stem Bearing | RPTFE |
| 13. Stop | ASTM A276 Type 316 |
| 14. Stop Screw | 316 SS |
| 15. Lock Plate | 302 or 304 SS |
| 16. Body Seal | RPTFE |
| 17. Grounding Spring | SS |
| 18. Body Joint Stud | ASTM A193 Grade B8M |
| 19. Body Joint Nut | ASTM A194 Grade 8 |
| 20. Adapter Screw | 18-8 SS |
| 21. Pipe Handle | Galvanized Steel (not shown) |

OPTIONS AVAILABLE:

| (SUFFIX) | OPTION |
|----------|--|
| -01- | Standard |
| -14- | Side Vented Ball (Uni-Directional) |
| -21- | UHMWPE Seats |
| -24- | Fire Safe (Graphite Packing and Seal) |
| -35- | PTFE Seats and Seals |
| -49- | Assembled Dry |
| -57- | Oxygen Cleaned |
| -60- | Grounded Ball and Stem |
| -65- | MPTFE Seats and Graphite Packing |
| -67- | Cleaned For Industrial Gases |
| -69- | Drilled and Tapped Purge Ports with Plugs |
| -70- | Extended Bonnet |
| -73- | 316 SS Spiral Wound Gaskets w/PTFE Filler |
| -74- | 316 SS Spiral Wound Gaskets w/Graphite Filler |
| -76- | Live Loaded 87A/88A Series (Lever) |
| -80- | Multi-Seal (Super TFE) 87A/88A Series |
| -MG- | Gear Operator with Standard Handwheel |
| -MH- | Gear Operator with Standard Handwheel & Locking Device |
| -MJ- | Gear Operator with Oversize Handwheel |
| -MK- | Gear Operator with Oversize Handwheel & Locking Device |

For Pressure/Temperature Ratings, Refer to Page M-9, Graph No. 6



| NUMBER | SIZE | A | B | C | D | E | F | G | H | I | J | K | L | M | N | WT. |
|------------|------|------|-------|------|-------|------|------|------|------|-------|-------|-------|-------|--------|------|-------|
| 87A-70A-01 | 4" | 3.00 | 12.00 | 5.68 | 8.80 | 4.06 | 0.50 | 4.75 | 5.95 | 2.840 | 1.420 | 1.250 | 0.725 | 3/8-16 | 4.00 | 95.0 |
| 87A-70C-01 | 6" | 4.00 | 15.88 | 7.38 | 9.99 | 5.25 | 0.50 | 5.94 | 7.13 | 2.840 | 1.420 | 1.250 | 0.725 | 3/8-16 | 6.00 | 187.0 |
| 87A-70E-01 | 8" | 6.00 | 19.75 | 9.00 | 13.73 | 7.30 | 1.00 | 7.75 | 9.48 | 4.596 | 2.298 | 2.000 | 1.375 | 3/4-10 | 8.00 | 400.0 |



87A-700 Series

Stainless Steel ANSI Class 300 Flanged Standard Port Ball Valve - 10"

STANDARDS COMPLIANCE

Refer to page D-A

STANDARD FEATURES

Refer to page D-A

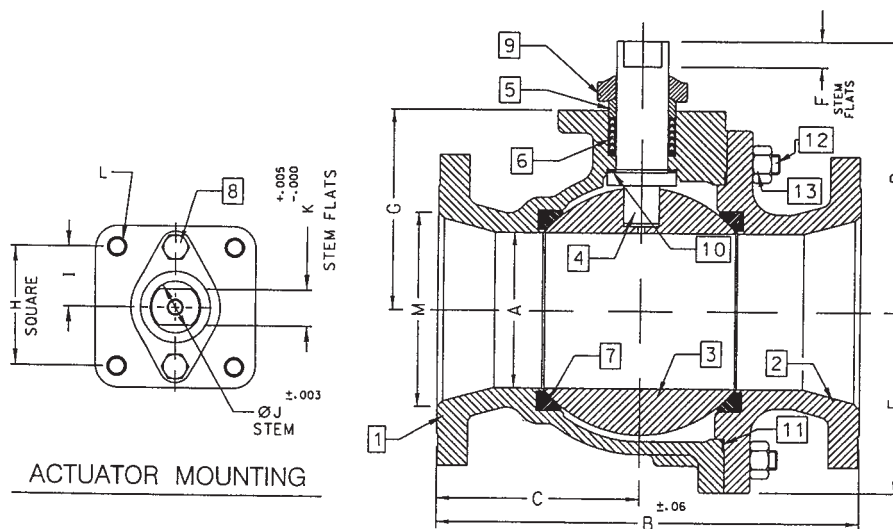
MATERIALS OF CONSTRUCTION

| Description | Material |
|---------------------|---------------------------------|
| 1. Body | ASTM A351 CF8M |
| 2. Retainer | ASTM A351 CF8M |
| 3. Ball | ASTM A276 Type 316 or A351 CF8M |
| 4. Stem | ASTM A276 Type 316 |
| 5. Packing Gland | ASTM A276 Type 316 |
| 6. Stem Seals | PTFE |
| 7. Seats | RPTFE |
| 8. Gland Screws | ASTM A193 B8 Class 1 |
| 9. Gland Plate | 316 SS |
| 10. Stem Bearing | RPTFE |
| 11. Body Seal | RPTFE |
| 12. Body Joint Stud | ASTM A193 Grade B8M |
| 13. Body Joint Nut | ASTM A194 Grade 8 |

OPTIONS AVAILABLE:

| (SUFFIX) | OPTION |
|----------|--|
| -01- | Standard (Less Gear Operator) |
| -14- | Side Vented Ball (See Page J2) |
| -21- | UHMWPE Seats |
| -24- | Fire Safe (Graphite Packing and Seal) |
| -35- | PTFE Seats and Seals |
| -49- | Assembled Dry |
| -57- | Oxygen Cleaned (Stainless Steel Valves Only) |
| -60- | Grounded Ball and Stem |
| -65- | MPTFE Seats and Graphite Packing |
| -69- | Drilled and Tapped Purge Ports with Plugs |
| -70- | Extended Bonnet |
| -76- | Live Loaded 87A/88A Series (Lever) |
| -77- | Live Loaded 87A/88A Series (Gear & Actuated) |
| -80- | Multi-Seal (Super TFE) 87A/88A Series |
| -MG- | Gear Operator with Standard Handwheel |
| -MH- | Gear Operator with Standard Handwheel & Locking Device |
| -MJ- | Gear Operator with Oversize Handwheel |
| -MK- | Gear Operator with Oversize Handwheel & Locking Device |

**For Pressure/Temperature Ratings,
Refer to Page M-9, Graph No. 6**



| NUMBER | SIZE | A | B | C | D | E | F | G | H | I | J | K | L | M |
|------------|------|------|-------|-------|-------|------|------|-------|-------|-------|-------|-------|--------|-------|
| 87A-70G-01 | 10" | 8.00 | 22.38 | 10.69 | 12.83 | 9.56 | 1.00 | 10.22 | 4.596 | 2.298 | 2.000 | 1.375 | 3/4-10 | 10.00 |