



87-100 Series

Stainless Steel ANSI Class 150 Flanged Ball Valve

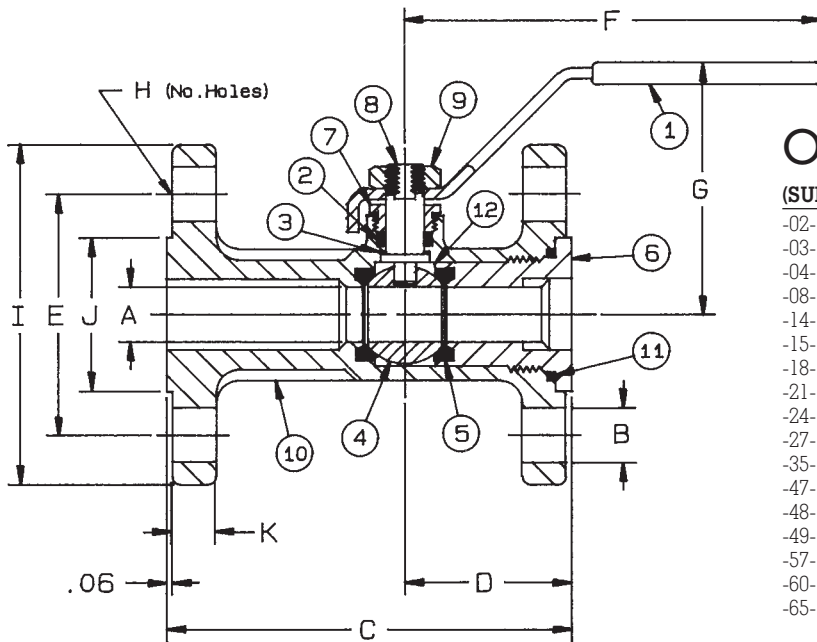
ANSI Class 150 Flanged Ends, 275 psig WOG, Cold Non-Shock. 150 psig Saturated Steam.
 Vacuum Service to 29 inches Hg.
 Federal Specification: WW-V-35C, Type: II, Composition: SS, Style: 3.

FEATURES (1/2" to 1")

- Investment cast body
- Adjustable packing gland
- RPTFE seats and seals
- Actuator mounting provisions
- (-24) Certified to API standard 607, 4th Edition
- Meets NACE MR-01-75
- Unibody construction
- Corrosion resistant
- Blow-out-proof stem design
- Field repairable
- Positive shut-off

STANDARD MATERIAL LIST

| | | | |
|-------------------|-----------------------|------------------|-----------|
| 1. Lever and grip | 304 SS w/vinyl | 7. Packing gland | A276-316 |
| 2. Stem packing | RPTFE (1/2" to 1") | 8. Stem | A276-316 |
| 3. Stem bearing | RPTFE | 9. Lever nut | 304 SS |
| 4. Ball | A276-316 | 10. Body | A351-CF8M |
| 5. Seat (2) | RPTFE | 11. Body seal | PTFE |
| 6. Retainer | A276-316 or A351-CF8M | | |



OPTIONS AVAILABLE:

| (SUFFIX) | OPTION | SIZES |
|----------|------------------------------------|------------|
| -02- | Static Grounded | 1/2" to 1" |
| -03- | 1-1/4" CS Stem Extension | 1/2" to 1" |
| -04- | 2-1/4" CS Stem Extension | 1/2" to 1" |
| -08- | 90° Reversed Stem | 1/2" to 1" |
| -14- | Vented Ball (see page J-2) | 1/2" to 1" |
| -15- | Round Handle | 1/2" to 1" |
| -18- | Plain Yellow Grip | 1/2" to 1" |
| -21- | UHMWPE Seats (Non-PTFE) | 1/2" to 1" |
| -24- | Graphite Stem Packing | 1/2" to 1" |
| -27- | Latch Lock Lever | 1/2" to 1" |
| -35- | PTFE Trim | 1/2" to 1" |
| -47- | SS Oval Latch-Lock Handle | 1/2" to 1" |
| -48- | SS Oval Handle | 1/2" to 1" |
| -49- | Assembled Dry | 1/2" to 1" |
| -57- | Cleaned For Gaseous Oxygen | 1/2" to 1" |
| -60- | Static Grounded Ball & Stem | 1/2" to 1" |
| -65- | Multifill Seats & Graphite Packing | 1/2" to 1" |

Contact factory for actuator mounting dimensions.

For Pressure/Temperature Ratings, Refer to Page M-7, Graph No. 2

SS ANSI CLASS 150 FLANGED BALL VALVE (1/2" to 1")

| NUMBER | SIZE | A | B | C | D | E | F | G | H | I | J | K | Wt. |
|-----------|------|-----|-----|------|------|------|------|------|---|------|------|-----|-----|
| 87-103-01 | 1/2" | .50 | .62 | 4.25 | 1.87 | 2.37 | 4.41 | 2.56 | 4 | 3.50 | 1.38 | .43 | 3.2 |
| 87-104-01 | 3/4" | .62 | .62 | 4.62 | 1.91 | 2.75 | 4.75 | 2.91 | 4 | 3.88 | 1.69 | .50 | 4.6 |
| 87-105-01 | 1" | .87 | .62 | 5.00 | 1.94 | 3.12 | 4.75 | 3.10 | 4 | 4.25 | 2.00 | .50 | 6.1 |