



86R-200 Series

Stainless Steel 3-Piece Full Port Socket Weld Valve Ball Valve With Actuator Ready ISO Mounting Pad 1/4" through 2"

Socket Weld, 1/4" to 1" 1000 psig CWP, 1-1/4" & 2" 800 psig CWP, Cold Non-Shock. 150 psig Saturated Steam. Vacuum Service to 29 inches Hg.
Federal Specification: WW-V-35C, Type: II, Composition: SS, Style: 1.
MSS SP-110; Ball Valve Threaded, Socket-Welding, Solder Joint, Grooved and Flared Ends.

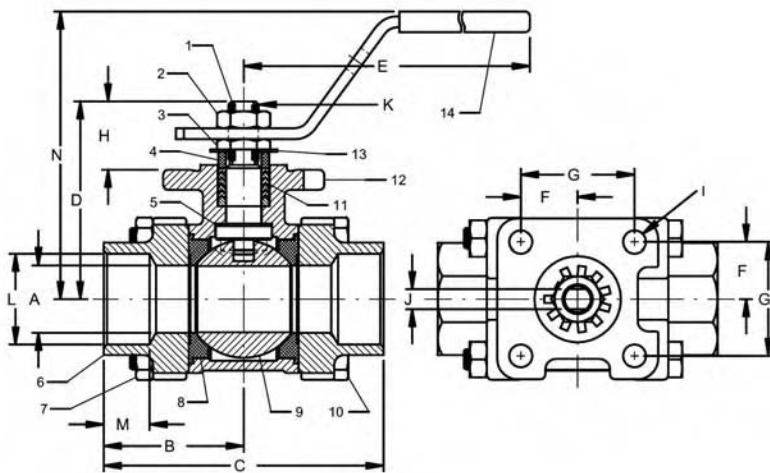
FEATURES

- Multi-piece packing set
- ISO 5211 mounting pad
- Blow-out-proof stem design
- In-line repairable
- Adjustable packing gland
- Investment cast components
- RPTFE seats and seals
- Full port configuration
- Meets NACE MR01-75

STANDARD MATERIAL LIST

1. Stem	A276-316	8. Seat (2)	RPTFE
2. Jam nut	SS	9. Ball	316 SS
3. Low profile nut	316 SS	10. Body bolt (4)	18-8 SS
4. Gland	A276-316	11. Stem packing	MPTFE
5. Stem bearing	RPTFE	12. Body	ASTM A351-CF8M
6. End cap (2)	ASTM A351-CF3M	13. Lock tab washer	304 SS
7. Hex nut (4)	18-8 SS	14. Lever and grip	304 SS w/vinyl

OPTIONS AVAILABLE:



(SUFFIX)	OPTION	SIZES
-02	Static Grounded	1/4" to 2"
-03	1-1/4" Stem Extension	1/4" to 2"
-04	2-1/4" Stem Extension	1/4" to 2"
-08	90° Reversed Stem	1/4" to 2"
-14	Vented Ball	1/4" to 2"
-18	Plain Yellow Grip	1/4" to 2"
-21	UHMWPE Seats (Non-PTFE)	1/4" to 2"
-24	Graphite Stem Packing	1/4" to 2"
-27	Latch Lock Lever	1/4" to 2"
-35	VTFE Trim	1/4" to 2"
-36	SS Round Handle	3/4" to 2"
-39	SS Hi-Rise Locking Wheel Handle, SS Nut	1/4" to 2"
-49	Assembled Dry	1/4" to 2"
-56	Multi-fill Seats	1/4" to 2"
-57	Oxygen Cleaned	1/4" to 2"
-60	Grounded Ball & Stem	1/4" to 2"
-AR	Less Handle & Stop-Add Belleville Washers	1/4" to 2"
-WB	With Lever & Belleville Washers	1/4" to 2"

**For Pressure/Temperature Ratings,
Refer to Page M-10, Graph No. 8**

STAINLESS STEEL 3-PIECE FULL PORT SOCKET WELD BALL VALVE WITH ISO MOUNTING PAD

NUMBER	SIZE	A	B	C	D	E	F	G	H	I	J (FLATS)	K (THRDS.) UNF	L	M	N
86R-201-01	1/4"	.43	1.40	2.81	2.05	4.18	.59	1.17	.61	.28	.247/.249	3/8-24	.565	.50	3.28
86R-202-01	3/8"	.50	1.40	2.81	2.05	4.18	.59	1.17	.61	.28	.247/.249	3/8-24	.700	.56	3.28
86R-203-01	1/2"	.62	1.40	2.81	2.05	4.18	.59	1.17	.61	.28	.247/.249	3/8-24	.855	.43	3.28
86R-204-01	3/4"	.81	1.71	3.42	2.42	4.93	.70	1.39	.84	.28	.247/.249	3/8-24	1.065	.56	3.52
86R-205-01	1"	1.00	1.92	3.85	2.54	4.93	.70	1.39	.84	.28	.247/.249	3/8-24	1.330	.68	3.64
86R-206-01	1-1/4"	1.25	2.35	4.70	3.16	8.06	.98	1.95	1.16	.34	.370/.372	5/8-18	1.675	.81	4.06
86R-207-01	1-1/2"	1.50	2.59	5.18	3.49	8.06	.98	1.95	1.16	.34	.370/.372	5/8-18	1.915	.87	4.38
86R-208-01	2"	2.00	3.01	6.03	3.95	8.06	.98	1.95	1.16	.34	.370/.372	5/8-18	2.405	1.05	4.85