



# 85R-100 Series

## Stainless Steel 3-Piece Ball Valve With Actuator Ready ISO Mounting Pad

Std. Port Threaded, 3/4" to 1-1/4" 1000 psig WOG, 1-1/2" & 2" 800 psig WOG, Cold Non-Shock. 150 psig Saturated Steam. Vacuum Service to 29 inches Hg.

Federal Specification: WW-V-35C, Type: II, Composition: SS, Style: 1.

MSS SP-110; Ball Valve Threaded, Socket-Welding, Solder Joint, Grooved and Flared Ends.

### FEATURES

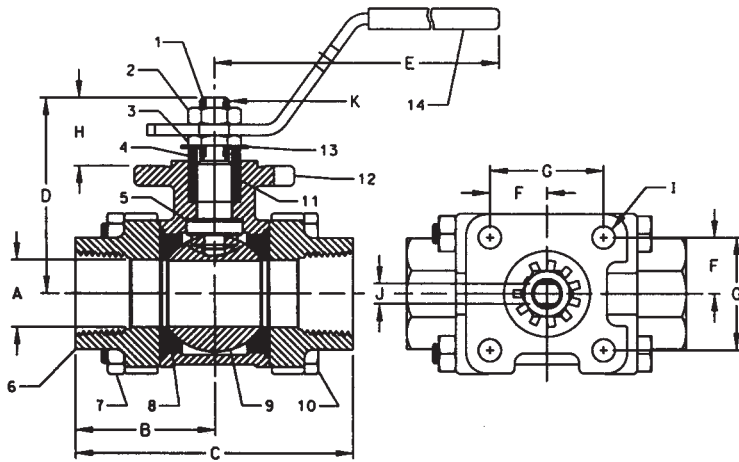
- Multi-piece packing set
- ISO 5211 mounting pad
- Blow-out-proof stem design
- In-line repairable
- Adjustable packing gland
- Investment cast components
- RPTFE seats and seals
- Full port configuration
- Meets NACE MR01-75

### STANDARD MATERIAL LIST

1. Stem	A276-316	8. Seat (2)	RPTFE
2. Jam nut	SS	9. Ball	316 SS
3. Low profile nut	316 SS	10. Body bolt (4)	18-8 SS
4. Gland	A276-316	11. Stem packing	MPTFE
5. Stem bearing	RPTFE	12. Body	ASTM A351-CF8M
6. End cap (2)	ASTM A351-CF3M	13. Lock tab washer	304 SS
7. Hex nut (4)	18-8 SS	14. Lever and grip	304 SS w/vinyl

### OPTIONS AVAILABLE:

(SUFFIX)	OPTION	SIZES
-02-	Static Grounded	3/4" to 2"
-03-	1-1/4" Stem Extension	3/4" to 2"
-04-	2-1/4" Stem Extension	3/4" to 2"
-08-	90° Reversed Stem	3/4" to 2"
-14-	Vented Ball	3/4" to 2"
-18-	Plain Yellow Grip	3/4" to 2"
-21-	UHMWPE Seats (Non-PTFE)	3/4" to 2"
-24-	Graphite Stem Packing	3/4" to 2"
-27-	Latch Lock Lever	3/4" to 2"
-35-	VTFE Trim	3/4" to 2"
-36-	SS Round Handle	3/4" to 2"
-39-	SS Hi-Rise Locking Wheel Handle, SS Nut	3/4" to 2"
-49-	Assembled Dry	3/4" to 2"
-57-	Oxygen Cleaned	3/4" to 2"
-60-	Grounded Ball & Stem	3/4" to 2"
-63-	Threaded x Socket Weld	3/4" to 2"
-P01-	BSPP (Parallel) Thread Connection	3/4" to 2"
-T01-	BSPT (Tapered) Thread Connection	3/4" to 2"
-AR-	Less Handle & Stop-Add Belleville Washers	3/4" to 2"
-WB-	With Lever & Belleville Washers	3/4" to 2"



**For Pressure/Temperature Ratings,  
Refer to Page M-10, Graph No. 8**

### STAINLESS STEEL 3-PIECE STANDARD PORT BALL VALVE WITH ISO MOUNTING PAD

NUMBER	SIZE	A	B	C	D	E	F	G	H	I	J (FLATS)	K (THRDS.) UNF
85R-104-01	3/4"	.62	1.40	2.81	2.05	4.18	.59	1.17	.61	.28	.247/.249	3/8-24
85R-105-01	1"	.81	1.71	3.42	2.42	4.93	.70	1.39	.84	.28	.247/.249	3/8-24
85R-106-01	1-1/4"	1.00	1.92	3.85	2.54	4.93	.70	1.39	.84	.28	.247/.249	3/8-24
85R-107-01	1-1/2"	1.25	2.35	4.70	3.16	8.06	.98	1.95	1.16	.34	.370/.372	5/8-18
85R-108-01	2"	1.50	2.59	5.18	3.49	8.06	.98	1.95	1.16	.34	.370/.372	5/8-18