



85-200 Series

Stainless Steel 3-Piece Socket Weld Ball Valve

Standard Port Socket Weld, 1000 psig WOG, Cold Non-Shock. 150 psig Saturated Steam.
Vacuum Service to 29 inches Hg.

Federal Specification: WW-V-35C, Type: II, Composition: SS, Style: 1.

MSS SP-110; Ball Valves Threaded, Socket-Welding, Solder Joint, Grooved and Flared Ends.

FEATURES

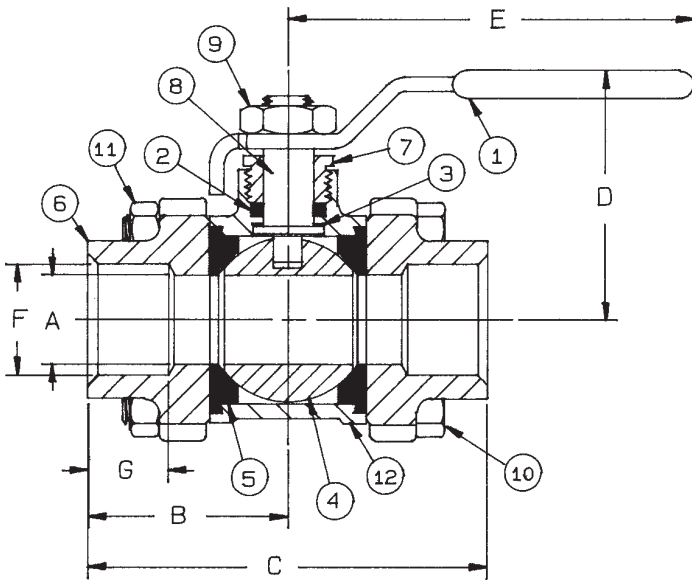
- Meets NACE MR-01-75
- Blow-out-proof stem design
- In-line repairable
- Investment cast components
- RPTFE seats and seals
- Adjustable packing gland

STANDARD MATERIAL LIST

1. Lever and grip	304 SS w/vinyl	7. Gland nut	A276-316
2. Stem packing	RPTFE	8. Stem	A276-316
3. Stem bearing	RPTFE	9. Lever nut	18-8 SS
4. Ball	A276-316	10. Body bolt (4)	18-8 SS
5. Seat (2)	RPTFE	11. Hex nut (4)	18-8 SS
6. End cap (2)	A351-CF3M	12. Body	A351-CF8M

OPTIONS AVAILABLE:

(SUFFIX)	OPTION	SIZES
-02-	Static Grounded	1/2"
-03-	1-1/4" Stem Extension	1/2"
-04-	2-1/4" Stem Extension	1/2"
-07-	Tee Handle	1/2"
-08-	90° Reversed Stem	1/2"
-14-	Vented Ball (see page J-2)	1/2"
-15-	Round Handle	1/2"
-18-	Plain Yellow Grip	1/2"
-24-	Graphite Stem Packing	1/2"
-27-	Latch Lock Lever	1/2"
-32-	SS Tee Handle & Nut	1/2"
-35-	VTFE Trim	1/2"
-45-	Less Lever & Nut	1/2"
-47-	SS Latch-Lock Oval Handle	1/2"
-48-	SS Oval Handle (No Latch) & Nut	1/2"
-49-	Assembled Dry	1/2"
-57-	Oxygen Cleaned	1/2"
-60-	Grounded Ball & Stem	1/2"



**For Pressure/Temperature Ratings,
Refer to Page M-10, Graph No. 8**

STAINLESS STEEL 3-PIECE SOCKET WELD BALL VALVE

NUMBER	SIZE	A	B	C	D	E	F	G	H	I	Wt.
85-203-01	1/2"	.50	1.28	2.56	1.81	3.87	N/A	N/A	.855	.43	.97