



83-500 Series

Carbon Steel 3-Piece High Pressure Full Port Ball Valve

Threaded, 1/4" to 1" 1500 psig WOG, 1-1/4" & 2" 1250 psig WOG, Cold Non-Shock. 150 psig Saturated Steam. Vacuum Service to 29 inches Hg.

Federal Specification: WW-V-35C, Type: II, Composition: CS, Style: 1.

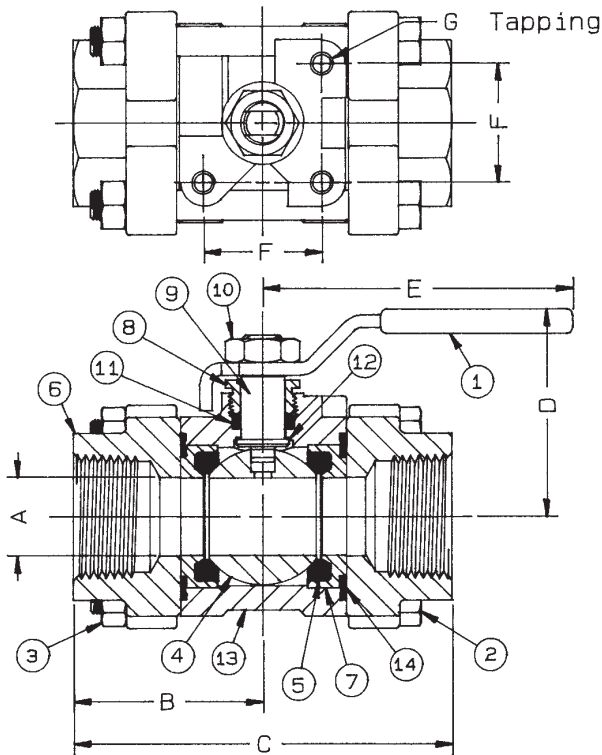
MSS SP-110; Ball Valves Threaded, Socket-Welding, Solder Joint, Grooved and Flared Ends.

FEATURES

- Nitride corrosion protection
- Adjustable packing gland
- In-line repairable
- Blow-out-proof stem design
- (-29) Certified to API standard 607, 4th Edition, Class 600 burn
- Meets NACE MR-01-75 with SS trim
- Investment Cast Components
- Actuator mounting pad (3/4" to 2")
- RPTFE seats and seals

STANDARD MATERIAL LIST

1. Lever and grip	CS, zinc plated w/vinyl	8. Gland nut	A108-CS
2. Body bolt (4)	Steel, SAE grade 8 zinc plated	9. Stem	A108-CS
3. Hex nut (4)	Steel, SAE grade 8 zinc plated	10. Lever nut	Steel, zinc plated
4. Ball	A108-CS chrome plated	11. Stem packing	RPTFE
5. Seat (2)	RPTFE	12. Stem bearing	RPTFE
6. End cap (2)	A216-WCB	13. Body	A216-WCB
7. Seat holder (2)	A108-CS	14. Body seal (2)	RPTFE



CARBON STEEL 3-PIECE HIGH PRESSURE FULL PORT BALL VALVE

VARIATIONS AVAILABLE:

83-540 Series (316 SS Ball & Stem)

OPTIONS AVAILABLE:

(SUFFIX)	OPTION	SIZES
-02-	Static Grounded	1/4" to 2"
-03-	1-1/4" Stem Extension	1/4" to 2"
-04-	2-1/4" Stem Extension	1/4" to 2"
-07-	Tee Handle	1/4" to 2"
-08-	90° Reversed Stem	1/4" to 2"
-10-	SS Lever & Nut	1/4" to 2"
-14-	Vented Ball (see page J-2)	1/4" to 2"
-16-	Vertical Chain Lever	1/2" to 2"
-18-	Plain Yellow Grip	1/4" to 2"
-27-	Latch Lock Lever	1/4" to 2"
-29-	Firesafe	1/4" to 2"
-32-	SS Tee Handle & Nut	1/4" to 2"
-38-	PEEK Seats & Bearing (Graphite Packing & Seals)	1/4" to 2"
-45-	Less Lever & Nut	1/4" to 2"
-47-	SS Latch-Lock Oval Handle	1/4" to 2"
-48-	SS Oval Handle (No Latch) & Nut	1/4" to 2"
-56-	Multifill Seats	1/4" to 2"
-58-	Chain Lever - Horizontal	1/2" to 2"
-59-	SS External Trim - 3-pc. Valves	1/4" to 2"
-60-	Grounded Ball & Stem	1/4" to 2"
-63-	Female Threaded x Socket Weld	1/4" to 2"
-64-	250# Steam Trim	1/4" to 2"
-P01-	BSPP (Parallel) Thread Connection	1/4" to 2"
-T01-	BSPT (Tapered) Thread Connection	1/4" to 2"

NUMBER	SIZE	A	B	C	D	E	F	G	Wt.
83-501-01	1/4"	.43	1.50	3.00	1.93	3.87	N/A	N/A	1.21
83-502-01	3/8"	.50	1.50	3.00	1.93	3.87	N/A	N/A	1.22
83-503-01	1/2"	.62	1.69	3.38	2.00	4.81	N/A	N/A	1.90
83-504-01A	3/4"	.81	1.93	3.87	2.18	4.81	1.25	1/4-20	2.56
83-505-01A	1"	1.00	2.25	4.50	2.62	5.50	1.62	5/16-18	3.78
83-506-01A	1-1/4"	1.25	2.43	4.87	2.87	5.50	1.62	5/16-18	5.24
83-507-01A	1-1/2"	1.50	2.62	5.25	3.35	8.00	1.62	5/16-18	7.67
83-508-01A	2"	2.00	3.12	6.25	3.75	8.00	1.62	5/16-18	15.60

For Pressure/Temperature Ratings, Refer to Page M-11, Graph No. 11