



83-300 Series

Carbon Steel 3-Piece High Pressure Ball Valve

Standard Port, Threaded, 1/2" to 1-1/4" 1500 psig WOG, 1-1/2" & 2" 1250 psig WOG, Cold Non-Shock. 150 psig Saturated Steam. Vacuum Service to 29 inches Hg.

Federal Specification: WW-V-35C, Type: II, Composition: CS, Style: 1.

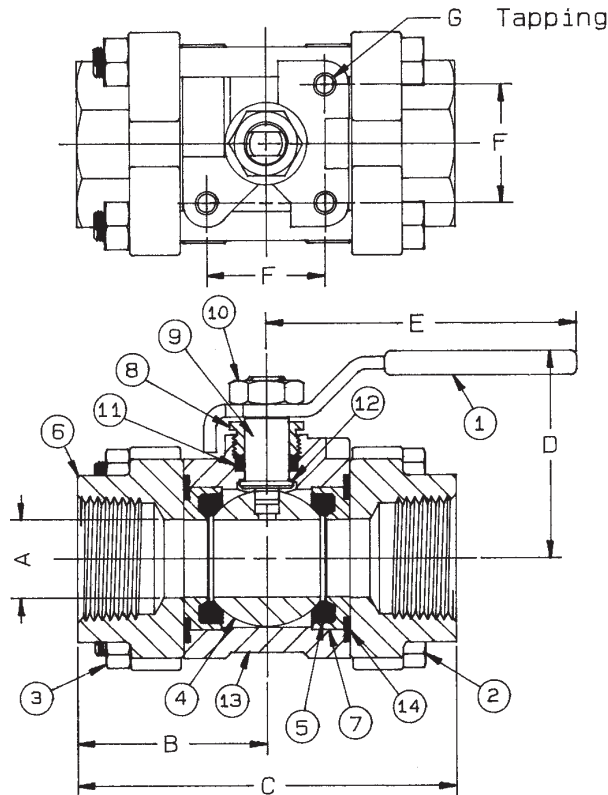
MSS SP-110; Ball Valves Threaded, Socket-Welding, Solder Joint, Grooved and Flared Ends.

FEATURES

- Nitride corrosion protection
- Adjustable packing gland
- In-line repairable
- Blow-out-proof stem design
- (-29) certified to API 607 4TH ed. Class 600 burn
- Meets NACE MR-01-75 with SS trim
- Investment Cast Components
- Actuator mounting pad (1" to 2")
- RPTFE seats and seals

STANDARD MATERIAL LIST

1. Lever and grip	CS, zinc plated w/vinyl	8. Gland nut	A108-CS
2. Body bolt (4)	Steel, SAE grade 8 zinc plated	9. Stem	A108-CS
3. Hex nut (4)	Steel, SAE grade 8 zinc plated	10. Lever nut	Steel, zinc plated
4. Ball	A108-CS chrome plated	11. Stem packing	RPTFE
5. Seat (2)	RPTFE	12. Stem bearing	RPTFE
6. End cap (2)	A216-WCB	13. Body	A216-WCB
7. Seat holder (2)	A108-CS	14. Body seal (2)	RPTFE



CARBON STEEL 3-PIECE
HIGH PRESSURE BALL VALVE

NUMBER	SIZE	A	B	C	D	E	F	G	Wt.
83-303-01	1/2"	.50	1.50	3.00	1.84	3.87	N/A	N/A	1.28
83-304-01	3/4"	.62	1.87	3.74	2.00	4.87	N/A	N/A	2.00
83-305-01A	1"	.81	1.99	3.99	2.18	4.87	1.25	1/4-20	2.69
83-306-01A	1-1/4"	1.00	2.31	4.62	2.60	5.50	1.62	5/16-18	3.97
83-307-01A	1-1/2"	1.25	2.62	5.25	2.82	5.50	1.62	5/16-18	5.50
83-308-01A	2"	1.50	2.74	5.48	3.37	8.00	1.62	5/16-18	8.05

VARIATIONS AVAILABLE:

83-340 Series (316 SS Ball & Stem)

OPTIONS AVAILABLE:

(SUFFIX)	OPTION	SIZES
-02-	Static Grounded	1/2" to 2"
-03-	1-1/4" Stem Extension	1/2" to 2"
-04-	2-1/4" Stem Extension	1/2" to 2"
-07-	Tee Handle	1/2" to 2"
-08-	90° Reversed Stem	1/2" to 2"
-10-	SS Lever & Nut	1/2" to 2"
-14-	Vented Ball (see page J-2)	1/2" to 2"
-15-	Round Handle	1/2" to 2"
-16-	Vertical Chain Lever	3/4" to 2"
-18-	Plain Yellow Grip	1/2" to 2"
-27-	Latch Lock Lever	3/4" to 2"
-29-	Firesafe	1/2" to 2"
-32-	SS Tee Handle & Nut	1/2" to 2"
-45-	Less Lever & Nut	1/2" to 2"
-48-	SS Oval Handle (No Latch) & Nut	1/2" to 2"
-56-	Multifill Seats	1/2" to 2"
-58-	Chain Lever - Horizontal	3/4" to 2"
-59-	SS External Trim - 3-pc. Valves	1/2" to 2"
-60-	Grounded Ball & Stem	1/2" to 2"
-63-	NPT x Solder/Socket Weld	1/2" to 2"
-64-	250# Steam Trim	1/2" to 2"
-P01-	BSPP (Parallel) Thread Connection	1/2" to 2"
-T01-	BSPT (Tapered) Thread Connection	1/2" to 2"

**For Pressure/Temperature Ratings,
Refer to Page M-11, Graph No. 11**