



82-100 Series

Bronze 3-Piece Full Port Ball Valve

Threaded, 600 psig WOG, Cold Non-Shock. 150 psig Saturated Steam.
Vacuum Service to 29 inches Hg.

Federal Specification: WW-V-35C, Type: II, Composition: BZ, Style: 1.
MSS SP-110; Ball Valve Threaded, Socket-Welding, Solder Joint, Grooved and Flared Ends.

FEATURES

- Full port configuration
- RPTFE seats and seals
- In-line repairable
- Blow-out-proof stem design
- Adjustable packing gland

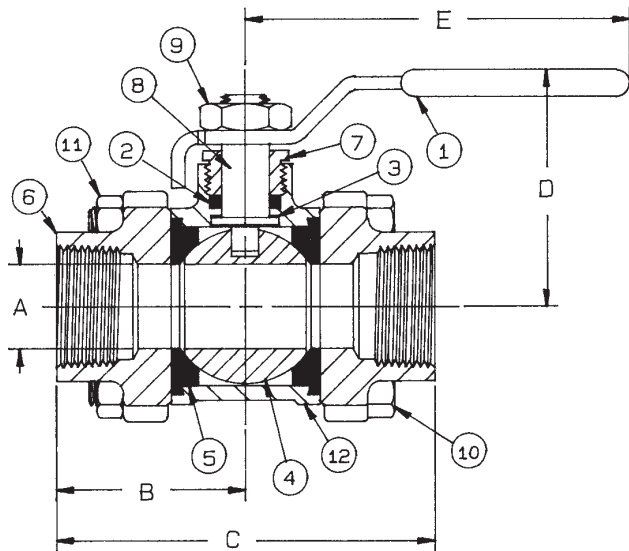
STANDARD MATERIAL LIST

1. Lever and grip	Steel, zinc plated w/vinyl	10. Body bolt	Steel, zinc plated
2. Stem packing	RPTFE	11. Hex nut	Steel, zinc plated
3. Stem bearing	RPTFE	12. Body	B584-C84400
4. Ball	B16, chrome plated (except 3" & 4")		
5. Seat (2)	RPTFE		
6. End cap (2)	B16 (1/4" to 3/8")		
	B584-C84400 (1/2" to 4")		
7. Gland nut	B16		
8. Stem	B16 (except 3" & 4")		
9. Lever nut	Steel, zinc plated		

VARIATIONS AVAILABLE:

82-140 Series (316 SS Ball & Stem)

82-150 Series (Original Balancing Stop)



BRONZE 3-PIECE FULL PORT BALL VALVE

NUMBER	SIZE	A	B	C	D	E	Wt.
82-101-01	1/4"	.43	1.28	2.56	1.81	3.87	1.02
82-102-01	3/8"	.50	1.28	2.56	1.81	3.87	1.04
82-103-01	1/2"	.62	1.40	2.81	1.93	4.87	1.55
82-104-01	3/4"	.81	1.71	3.43	2.18	4.87	2.27
82-105-01	1"	1.00	1.93	3.87	2.62	5.50	3.28
82-106-01	1-1/4"	1.25	2.37	4.75	2.87	5.50	5.62
82-107-01	1-1/2"	1.50	2.62	5.25	3.37	8.00	8.07
82-108-01	2"	2.00	3.01	6.03	3.68	8.00	14.42
82-109-01	2-1/2"	2.50	3.62	7.25	5.14	9.75	26.61
82-140-01	3"	3.00	4.00	8.00	6.77	18.00	42.24
82-14A-01	4"	4.00	5.50	11.00	8.26	18.00	88.40

OPTIONS AVAILABLE:

(SUFFIX)	OPTION	SIZES
-02-	Static Grounded	1/4" to 4"
-03-	1-1/4" Stem Extension	1/4" to 2"
-04-	2-1/4" Stem Extension	1/4" to 2"
-05-	Plain Ball	1/4" to 4"
-07-	Tee Handle	1/4" to 2"
-08-	90° Reversed Stem	1/4" to 4"
-10-	SS Lever & Nut	1/4" to 4"
-14-	Vented Ball (see page J-2)	1/4" to 4"
-15-	Round Handle	1/4" to 2"
-16-	Vertical Chain Lever	1/2" to 2"
-18-	Plain Yellow Grip	1/4" to 2"
-19-	Lock Plate	1/4" to 4"
-20-	Slot Vented Ball	1/4" to 4"
-21-	UHMWPE Seats	1/4" to 4"
-23-	Tank Flange	2" ONLY
-24-	Graphite Stem Packing	1/4" to 4"
-27-	Latch Lock Lever	1/2" to 2"
-30-	CamLock Handle	1/4" to 1-1/4"
-32-	SS Tee Handle & Nut	1/4" to 2"
-35-	PTFE Trim	1/4" to 4"
-39-	SS Hi-Rise Locking Wheel Handle, SS Nut	1/4" to 1-1/4"
-40-	Cyl-Loc & Grounded	1/4" to 1/2"
-45-	Less Lever & Nut	1/4" to 4"
-46-	Latch-Lock Lever - Lock in Closed Position Only	1/2" to 2"
-47-	SS Oval Latch-Lock Handle & Nut	1/4" to 3/4"
-48-	SS Oval Handle (No Latch) & Nut	1/4" to 2"
-49-	Assembled Dry	1/4" to 4"
-50-	2-1/4" CS Locking Stem Extension	1/4" to 2"
-56-	Multifill Seats & Graphite Packing	1/4" - 4"
-57-	Oxygen Cleaned	1/4" to 4"
-58-	Chain Lever - Horizontal	1/2" to 2"
-59-	SS External Trim - 3-pc. Valves	1/4" to 4"
-60-	Grounded Ball & Stem	1/4" to 4"
-63-	NPT x Solder/Socket Weld	3/8" to 4"
-P01-	BSPP (Parallel) Thread Connection	1/4" to 4"
-T01-	BSPT (Tapered) Thread Connection	1/4" to 4"

**For Pressure/Temperature Ratings,
Refer to Page M-8, Graph No. 4**