



7H-800 Series

M x F Stainless Steel Full Port Hydro Ball Valve

Male x Female Threaded, 800 psig WOG, Cold Non-Shock, 125 psig Saturated Steam.
 Vacuum Service to 29 inches Hg.

Federal Specification: WW-V-35C, Type: II, Composition: SS, Style: 3.

MSS SP-110; Ball Valves Threaded, Socket-Welding, Solder Joint, Grooved and Flared Ends.

FEATURES

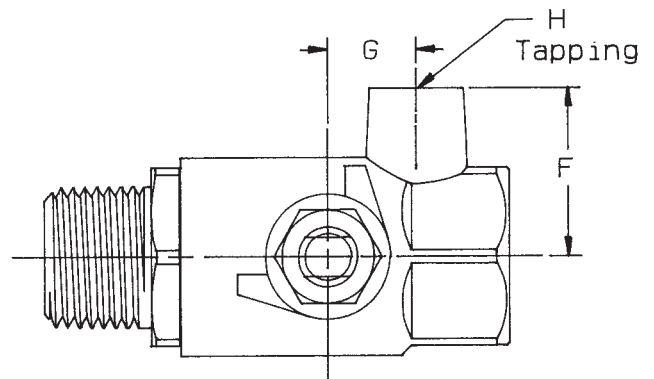
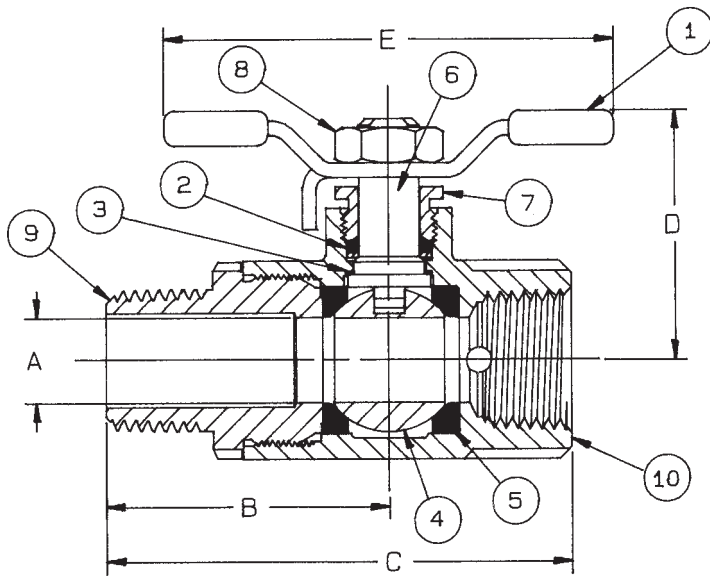
- 316 SS ball & stem
- RPTFE packing
- PTFE seats
- Blow-out-proof stem design
- Adjustable packing gland

STANDARD MATERIAL LIST

1. T-handle & grip	SS	6. Stem	A276-316
2. Stem packing	RPTFE	7. Gland screw	A276-316
3. Stem bearing	RPTFE	8. Lever nut	304 SS
4. Ball	A276-316	9. Retainer	A276-316
5. Seat (2)	PTFE	10. Body	A351-CF8M

OPTIONS AVAILABLE:

(SUFFIX)	OPTION	SIZES
-31-	7B Series w/Boss NOT Drilled & Tapped	1/4" to 1"



MALE X FEMALE STAINLESS STEEL
 FULL PORT HYDRO BALL VALVE

NUMBER	SIZE	A	B	C	D	E	F	G	H	Wt.
7H-801-01	1/4"	.37	1.47	2.46	1.39	2.56	.93	.53	1/8 NPT	.65
7H-802-01	3/8"	.37	1.55	2.54	1.39	2.56	.93	.53	1/8 NPT	.62
7H-803-01	1/2"	.50	1.79	2.83	1.45	2.56	1.00	.53	1/8 NPT	.73
7H-804-01	3/4"	.75	2.01	3.42	2.08	3.25	1.01	.75	1/8 NPT	.86
7H-805-01	1"	1.00	2.39	4.17	2.38	3.93	1.12	.94	1/8 NPT	1.65

**For Pressure/Temperature Ratings,
 Refer to Page M-16, Graph No. 21**