



7B-800 Series

Male x Female Bronze Full Port Hydro Ball Valve

Male x Female Threaded, 400 psig WOG, Cold Non-Shock, 125 psig Saturated Steam.
 Vacuum Service to 29 inches Hg.

Federal Specification: WW-V-35C, Type: II, Composition: BZ, Style: 3.

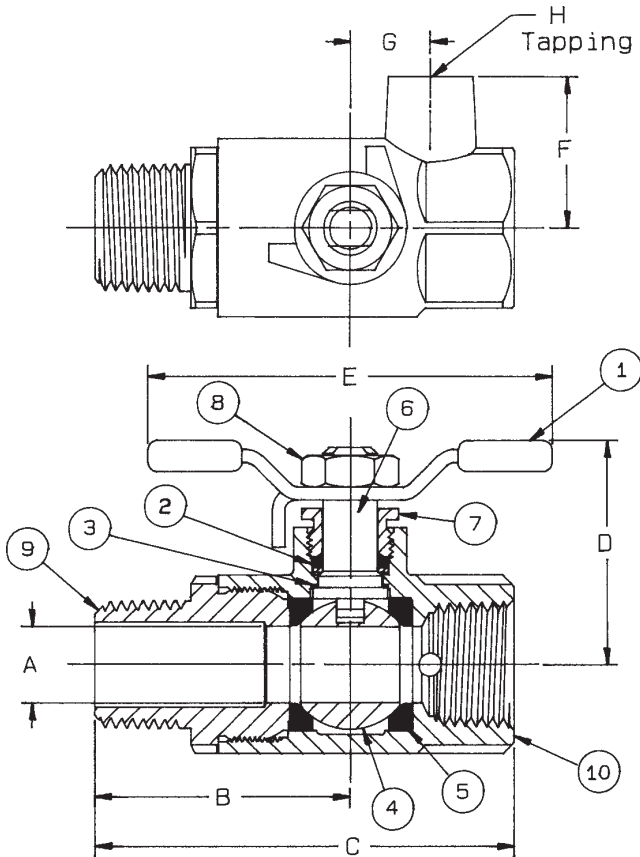
MSS SP-110; Ball Valves Threaded, Socket-Welding, Solder Joint, Grooved and Flared Ends.

FEATURES

- Chromium plated ball
- RPTFE packing
- PTFE seats
- Blow-out-proof stem design
- Adjustable packing gland

STANDARD MATERIAL LIST

1. T-handle & grip	SS	6. Stem	B16
2. Stem packing	RPTFE	7. Gland screw	B16
3. Stem bearing	RPTFE	8. Lever nut	304 SS
4. Ball	B16, chrome plated	9. Retainer	B16
5. Seat (2)	PTFE	10. Body	B584-C84400



OPTIONS AVAILABLE:

(SUFFIX)	OPTION	SIZES
-31-	7B Series w/Boss NOT Drilled & Tapped	1/4" to 2"

MALE x FEMALE BRONZE
 FULL PORT HYDRO BALL VALVE

NUMBER	SIZE	A	B	C	D	E	F	G	H	Wt.
7B-801-01	1/4"	.37	1.40	2.43	1.37	2.56	.93	.53	1/8 NPT	.73
7B-802-01	3/8"	.37	1.46	2.50	1.37	2.56	.93	.53	1/8 NPT	.70
7B-803-01	1/2"	.50	1.68	2.78	1.43	2.56	1.00	.53	1/8 NPT	.82
7B-804-01	3/4"	.75	1.88	3.28	1.70	2.68	1.12	.75	1/8 NPT	.80
7B-805-01	1"	1.00	2.39	4.17	1.93	3.62	1.31	.94	1/8 NPT	1.61
7B-806-01	1-1/4"	1.25	2.66	4.66	2.13	3.62	1.62	1.15	1/4 NPT	2.60
7B-807-01	1-1/2"	1.50	2.86	5.03	2.71	5.12	1.81	1.31	1/4 NPT	3.85
7B-808-01	2"	2.00	3.34	5.89	3.06	5.12	2.18	1.68	1/4 NPT	6.57

**For Pressure/Temperature Ratings,
 Refer to Page M-8, Graph No. 3**