



# 7B-300 Series

## Single Union End Bronze Full Port Hydro Ball Valve

NPT Threaded, 400 psig WOG, Cold Non-Shock. 125 psig Saturated Steam.

Vacuum Service to 29 inches Hg.

Federal Specification: WW-V-35C, Type: II, Composition: BZ, Style: 3.

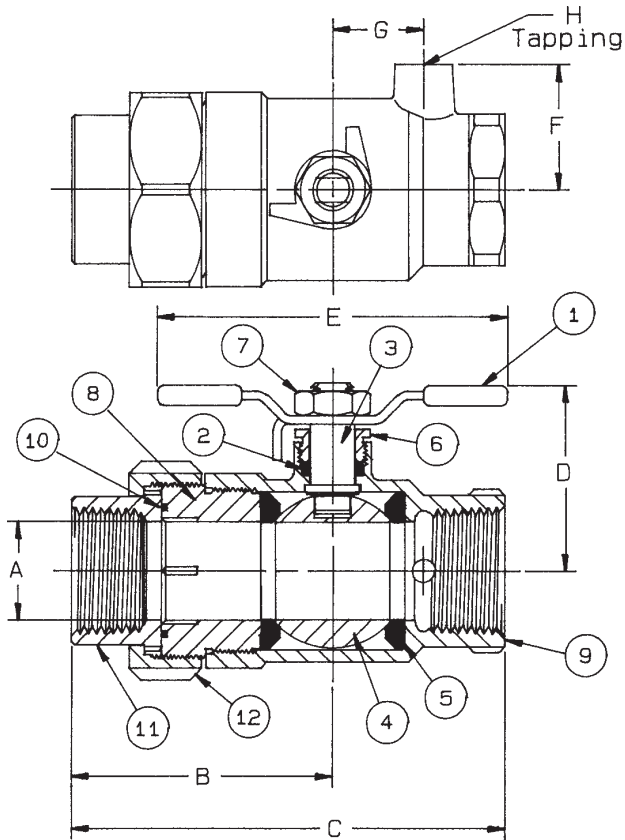
MSS SP-110; Ball Valves Threaded, Socket-Welding, Solder Joint, Grooved and Flared Ends.

### FEATURES

- Chromium plated ball
- RPTFE packing
- PTFE seats
- Blow-out-proof stem design
- Adjustable packing gland

### STANDARD MATERIAL LIST

1. T-handle & grip	SS w/vinyl	7. Lever nut	304 SS
2. Stem packing	RPTFE	8. Retainer	B16
3. Stem	B16	9. Body	B584-C84400
4. Ball	B16, chrome plated	10. O-Ring	Fluorocarbon
5. Seat (2)	PTFE	11. Tailpiece	B16
6. Gland nut	B16	12. Union nut	B16 (1/4" to 1") B584-C84400 (1-1/4" & 2")



### OPTIONS AVAILABLE:

(SUFFIX)	OPTION	SIZES
-31-	7B Series w/Boss NOT Drilled & Tapped	1/4" to 2"

**For Pressure/Temperature Ratings,  
Refer to Page M-8, Graph No. 3**

SINGLE UNION END BRONZE  
FULL PORT HYDRO BALL VALVE

NUMBER	SIZE	A	B	C	D	E	F	G	H	Wt.
7B-301-01	1/4"	.37	2.13	2.92	1.37	2.68	.93	.53	1/8 NPT	.89
7B-303-01	1/2"	.50	2.21	3.08	1.43	2.68	.93	.53	1/8 NPT	1.00
7B-304-01	3/4"	.75	2.25	3.67	1.62	3.00	1.12	.75	1/8 NPT	1.32
7B-305-01	1"	1.00	2.71	4.50	1.90	4.00	1.31	.94	1/8 NPT	2.31
7B-306-01	1-1/4"	1.25	3.00	5.00	2.18	4.00	1.62	1.15	1/4 NPT	3.68
7B-307-01	1-1/2"	1.50	3.43	5.62	2.60	5.62	1.81	1.31	1/4 NPT	5.50
7B-308-01	2"	2.00	4.00	6.56	2.95	5.62	2.18	1.68	1/4 NPT	9.30