



7B-100 Series

Bronze Full Port Hydro Ball Valve

Threaded, 400 psig WOG, Cold Non-Shock. 125 psig Saturated Steam.

Vacuum Service to 29 inches Hg.

Federal Specification: WW-V-35C, Type: II, Composition: BZ, Style: 3.

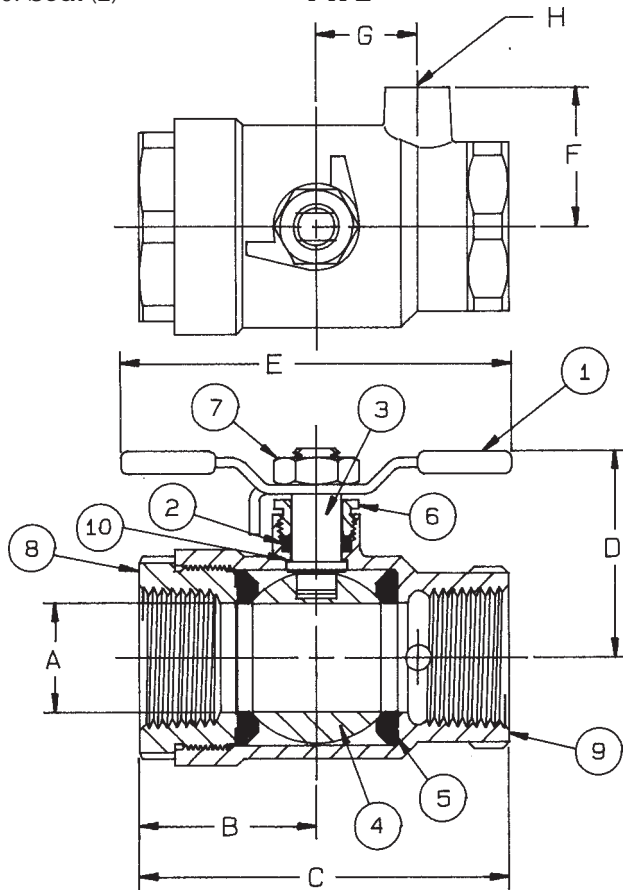
MSS SP-110; Ball Valves Threaded, Socket-Welding, Solder Joint, Grooved and Flared Ends.

FEATURES

- Chromium plated ball
- RPTFE packing
- PTFE seats
- Blow-out-proof stem design
- Adjustable packing gland

STANDARD MATERIAL LIST

- | | | | |
|--------------------|--------------------|--------------|--------------|
| 1. T-handle & grip | SS w/vinyl | 6. Gland nut | B16 |
| 2. Stem packing | RPTFE | 7. Lever nut | 304 SS |
| 3. Stem | B16 | 8. Retainer | B16 |
| 4. Ball | B16, Chrome plated | 9. Body | B584-C84400 |
| 5. Seat (2) | PTFE | 10. Bearing | RPTFE |
| | | | 1/4" to 1/2" |



OPTIONS AVAILABLE:

(SUFFIX)	OPTION	SIZES
-31-	7B Series w/Boss NOT Drilled & Tapped	1/4" to 2"

BRONZE FULL PORT HYDRO BALL VALVE

NUMBER	SIZE	A	B	C	D	E	F	G	H	Wt.
7B-101-01	1/4"	.37	1.03	2.06	1.37	2.68	.93	.53	1/8 NPT	.61
7B-102-01	3/8"	.37	1.03	2.06	1.37	2.68	.93	.53	1/8 NPT	.57
7B-103-01	1/2"	.50	1.09	2.18	1.43	2.68	1.00	.53	1/8 NPT	.64
7B-104-01	3/4"	.75	1.28	2.68	1.62	3.00	1.12	.75	1/8 NPT	.80
7B-105-01	1"	1.00	1.66	3.43	1.90	4.00	1.31	.94	1/8 NPT	1.61
7B-106-01	1-1/4"	1.25	1.87	3.87	2.18	4.00	1.62	1.15	1/4 NPT	2.60
7B-107-01	1-1/2"	1.50	2.05	4.22	2.60	5.62	1.81	1.31	1/4 NPT	3.85
7B-108-01	2"	2.00	2.47	5.02	2.95	5.62	2.18	1.68	1/4 NPT	6.57

**For Pressure/Temperature Ratings,
Refer to Page M-8, Graph No. 3**