



78-664/78-962 Series

Bronze Ball Valve With Center Drain

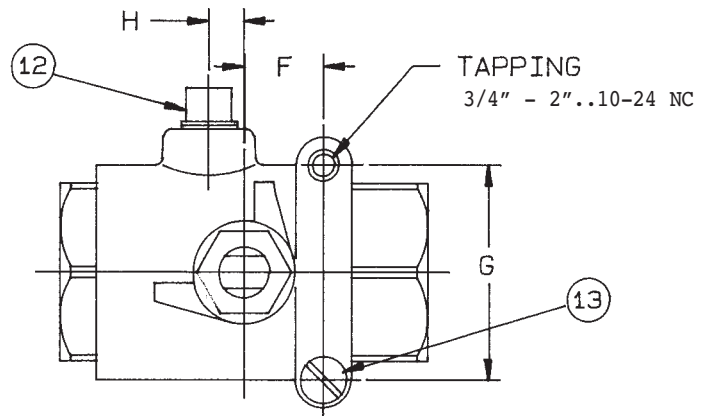
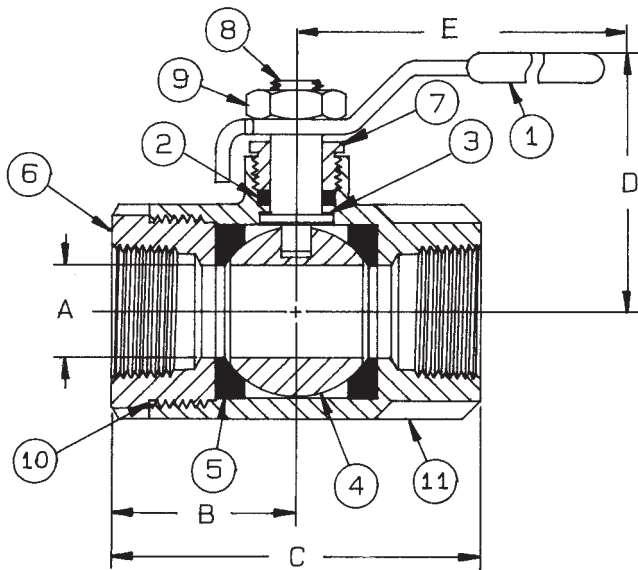
Threaded, 600 psig WOG, Cold Non-Shock.

FEATURES

- Chromium plated ball
- RPTFE seats and stuffing box ring
- Mounting pad with bonding screw
- Blow-out-proof stem design
- Adjustable packing gland
- Drainable ball cavity to prevent freeze damage

STANDARD MATERIAL LIST

1. Lever and grip	304 SS w/vinyl	7. Gland nut	B16
2. Stem packing	RPTFE	8. Stem	B16
3. Stem bearing	RPTFE	9. Lever nut	SS
4. Ball	B16, chrome plated	10. Body seal	PTFE (1-1/4" to 2")
5. Seat (2)	RPTFE	11. Body	B584-C84400
6. Retainer	B16 (3/4" & 1")	12. Drain plug	B16
	B584-C84400 (1-1/4" to 2")	13. Screw	Brass



BRONZE BALL VALVE WITH CENTER DRAIN

NUMBER	SIZE	A	B	C	D	E	F	G	H	Wt.
78-664-01	3/4"	.68	1.50	3.00	2.12	4.87	.87	1.37	.17	1.53
78-665-01	1"	.87	1.68	3.37	2.25	4.87	.87	1.37	.21	1.86
78-666-01	1-1/4"	1.00	2.00	4.00	2.62	5.50	.93	1.50	.28	3.39
78-667-01	1-1/2"	1.25	2.18	4.37	3.05	8.00	.93	1.50	.40	4.68
78-962-01	2"	1.50	2.34	4.68	3.24	8.00	.93	1.50	.45	5.72

**For Pressure/Temperature Ratings,
Refer to Page M-8, Graph No. 4**