



78-200 Series

Bronze Ball Valve With Dust Cover And Chain

Solder End x 3/4" Hose Connection.

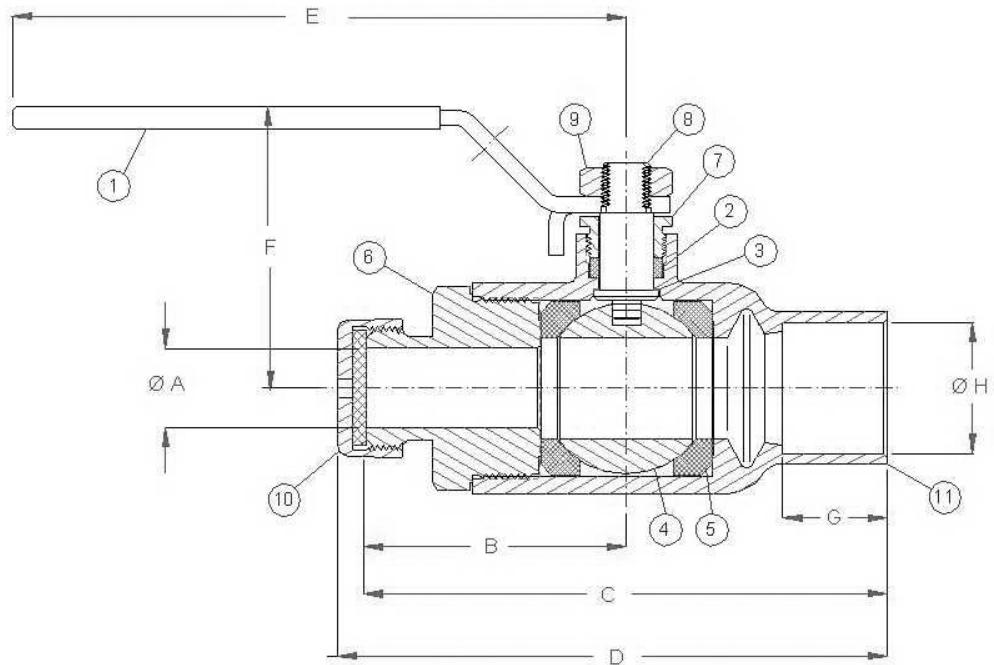
FEATURES

- Chromium plated ball
- RPTFE seats and stuffing box ring
- Securely attached dust cover with chain. **(Dust cover cannot be used to contain pressure)**
- Blow-out-proof stem design
- Adjustable packing gland

STANDARD MATERIAL LIST

1. Lever and grip	SS/vinyl	7. Gland nut	B16
2. Stem packing	RPTFE	8. Stem	B16
3. Stem bearing	RPTFE	9. Lever nut	SS
4. Ball	B16, chrome plated	10. Dust cover	B16
5. Seat (2)	RPTFE	11. Body	B584-C84400
6. Retainer	B16		

The 78-200 is designed to be soft soldered into lines without disassembly. This allows a tested valve to be installed without disturbing the seats and seals in any way. Soldering temperature not to exceed 500°F.



For Pressure/Temperature Ratings, Refer to Page M-8, Graph No. 4

BRONZE BALL VALVE WITH CAP AND CHAIN

NUMBER	SIZE	A	B	C	D	E	F	G	H	Wt.
78-203-01	1/2" Solder x 3/4" Hose	.50	1.68	3.14	3.28	3.89	1.75	.500	.629	.71
78-204-01	3/4" Solder x 3/4" Hose	.68	1.96	3.94	4.09	4.89	2.12	.750	.879	1.44
78-195-01	1" Solder x 3/4" Hose	0.87	2.24	4.49	4.73	5.28	2.43	.900	1.129	2.13



78-200 Series

Bronze Threaded Surface Mount Ball Valve

NPT Threaded, 600 psig WOG, Cold Non-Shock. 150 psig Saturated Steam.

Vacuum Service to 29 inches Hg.

Federal Specification: WW-V-35C, Type: II, Composition: BZ, Style: 3.

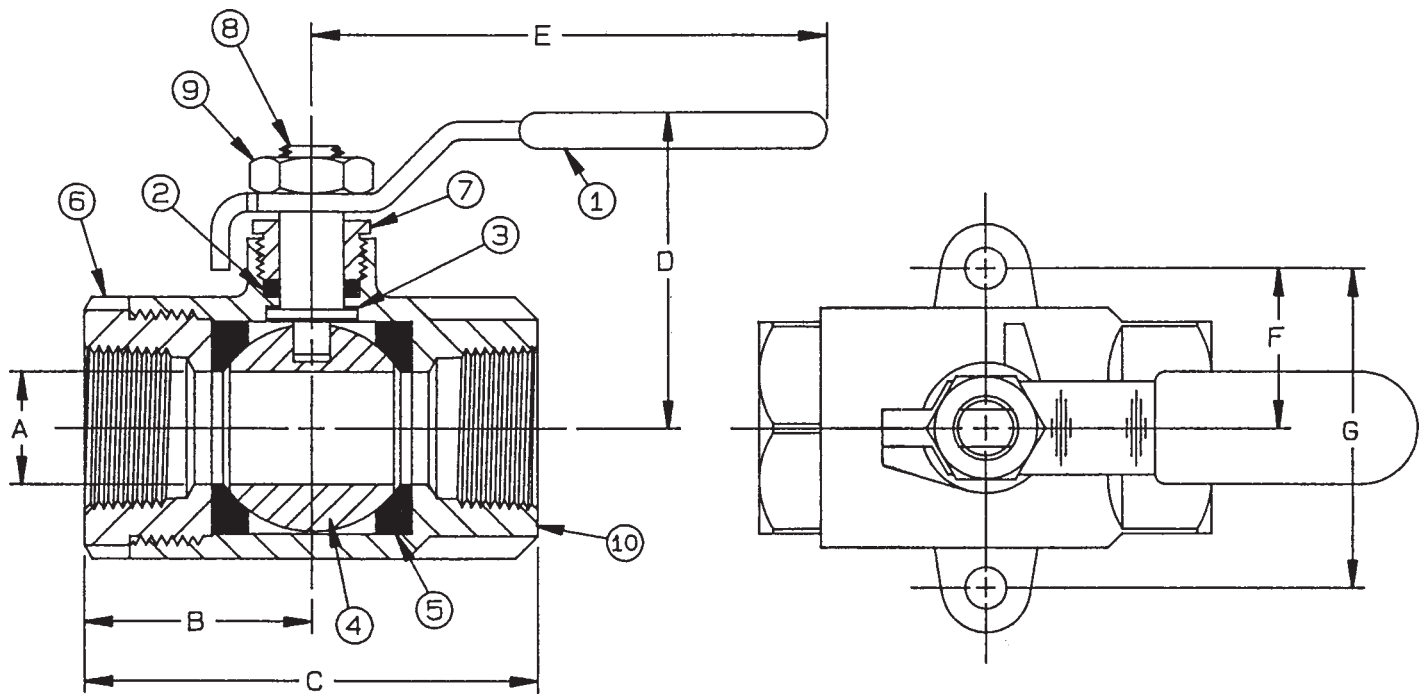
MSS SP-110; Ball Valves Threaded, Socket-Welding, Solder Joint, Grooved and Flared Ends.

FEATURES

- Chromium plated ball
- RPTFE seats and stuffing box ring
- Blow-out-proof stem design
- Adjustable packing gland

STANDARD MATERIAL LIST

1. Lever and grip	Steel, zinc plated w/vinyl	6. Retainer	B16
2. Stem packing	RPTFE	7. Gland nut	B16
3. Stem bearing	RPTFE	8. Stem	B16
4. Ball	B16, chrome plated	9. Lever nut	Steel, zinc plated
5. Seat (2)	RPTFE	10. Body	B584-C84400



BRONZE THREADED SURFACE MOUNT BALL VALVE

NUMBER	SIZE	A	B	C	D	E	F	G	Wt.
78-248-01	1/4"	.43	1.12	2.25	1.78	3.87	.93	1.87	.68
78-250-01	3/8"	.50	1.12	2.25	1.78	3.87	.93	1.87	.68
78-256-01	1/2"	.50	1.12	2.25	1.78	3.87	.93	1.87	.65
78-438-01	3/4"	.68	1.50	3.00	2.12	4.87	1.06	2.12	1.40

**For Pressure/Temperature Ratings,
Refer to Page M-8, Graph No. 4**