



77C-200 Series

Bronze Full Port Ball Valve (Solder)

Solder End, 600 psig CWP, 150 psig AQP. (See referenced P/T chart)
 Vacuum Service to 29 inches Hg.
 Federal Specification: WW-V-35C, Type: II, Composition: BZ, Style: 3.
 MSS SP-110 compliant.

FEATURES

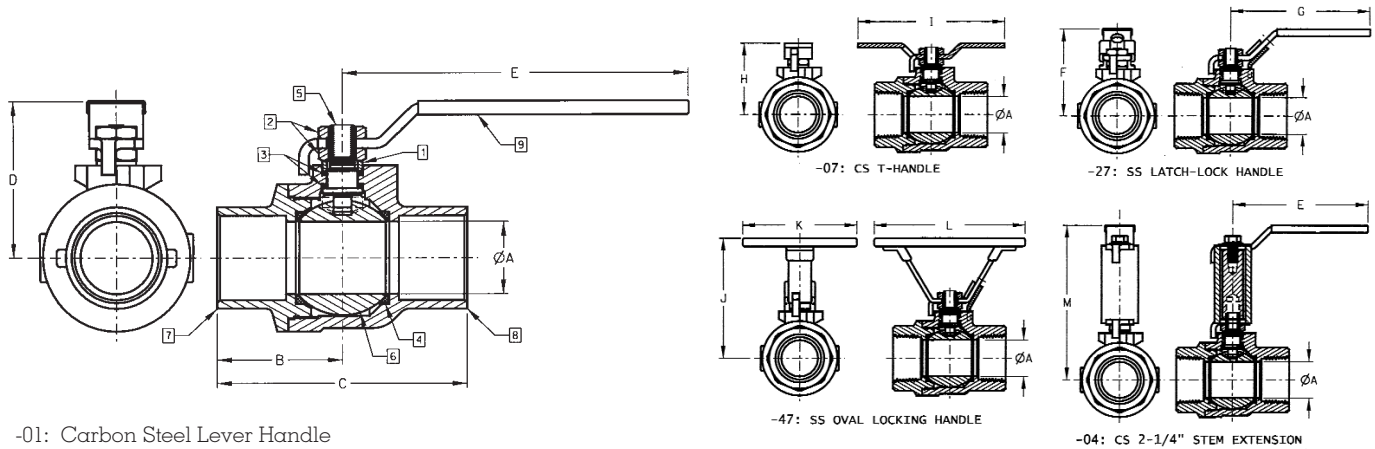
- American Made Bronze Castings
- Machined Solid Chrome-Plated Ball
- Multi-Fill PTFE Seats & Seals
- Available With Stainless Steel Ball and Stem As 77C-240 Series
- Blow-out-proof stem design
- Adjustable packing gland
- Full Port Design Through 2"

STANDARD MATERIAL LIST

1. Gland	B16 Brass	6. Ball	B16 (chromium plated)
2. Nut	Zinc Plated Steel	7. Retainer	B584 Bronze*
3. Packing	MPTFE	8. Body	B584 Bronze
4. Seat	MPTFE	9. Handle	Zinc Plated Steel/Vinyl
5. Stem	B16 Brass		

*1/4" - 1/2" B16 Brass

OPTIONS AVAILABLE:



**For Pressure/Temperature Ratings,
 Refer to Page M-8, Graph No. 4**

BRONZE FULL PORT BALL VALVE

NUMBER	SIZE	A	B	C	D	E	F	G	H	I	J	K	L	M	Cv	WT.**
77C-202	3/8	0.37	0.93	1.84	1.76	3.74	1.86	4.06	1.41	3.50	2.80	3.12	4.12	3.86	7.2	0.6
77C-203	1/2	0.50	1.15	2.31	1.79	3.74	1.89	4.06	1.44	3.50	2.83	3.12	4.12	3.89	15.5	0.6
77C-204	3/4	0.75	1.39	2.79	2.00	4.88	2.20	5.03	1.76	4.00	3.12	3.12	4.12	4.10	35.6	1.0
77C-205	1	1.00	1.69	3.38	2.19	4.88	2.39	5.03	1.96	4.00	3.32	3.12	4.12	4.29	68.1	1.6
77C-206	1-1/4	1.25	2.08	4.16	3.13	7.06	3.76	7.19	2.82	6.00	--	--	--	5.23	125.0	3.9
77C-207	1-1/2	1.50	2.33	4.66	3.29	7.06	3.92	7.19	2.98	6.00	--	--	--	5.39	177.0	5.8
77C-208	2	2.00	2.95	5.84	3.83	7.06	4.46	7.19	3.52	6.00	--	--	--	5.93	389.0	10.2

**Weights are based on standard configuration 77C-20X-01.