



# 77C-100 Series

## Bronze Full Port Ball Valve (Threaded)

Threaded, 600 psig CWP, 150 psig AQP. (See referenced P/T chart)

Vacuum Service to 29 inches Hg.

Federal Specification: WW-V-35C, Type: II, Composition: BZ, Style: 3.

MSS SP-110 compliant.

### FEATURES

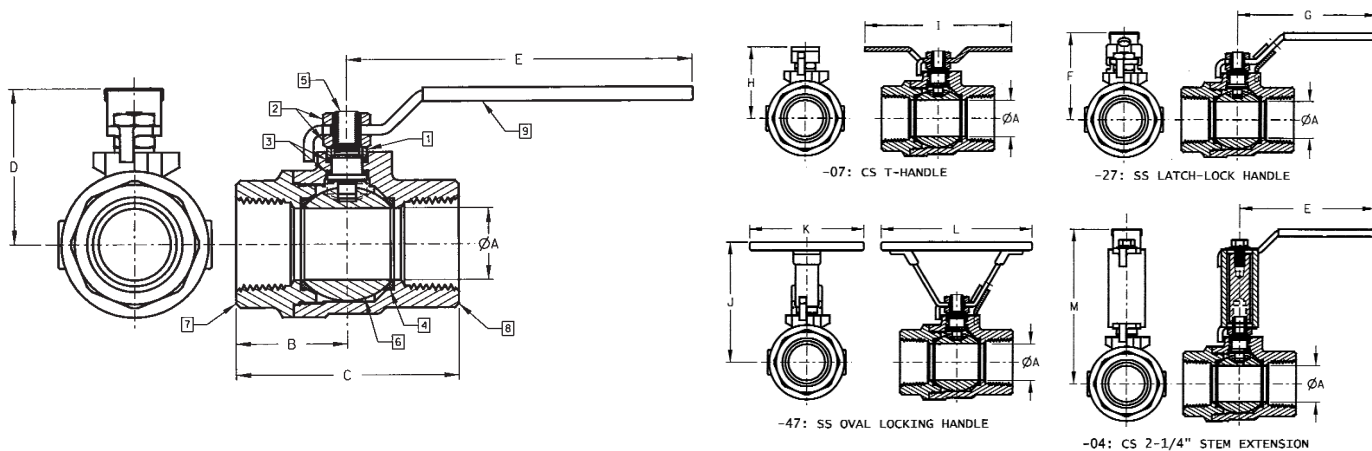
- American Made Bronze Castings
- Machined Solid Chrome-Plated Ball
- Multi-Fill PTFE Seats & Seals
- Available With Stainless Steel Ball and Stem As 77C-140 Series
- Blow-out-proof stem design
- Adjustable packing gland
- Full Port Design Through 2"

### STANDARD MATERIAL LIST

1. Gland	B16 Brass	6. Ball	B16 (chromium plated)
2. Nut	Zinc Plated Steel	7. Retainer	B584 Bronze*
3. Packing	MPTFE	8. Body	B584 Bronze
4. Seat	MPTFE	9. Handle	Zinc Plated Steel/Vinyl
5. Stem	B16 Brass		

\*1/4" - 1/2" B16 Brass

### OPTIONS AVAILABLE:



**For Pressure/Temperature Ratings,  
Refer to Page M-8, Graph No. 4**

### BRONZE FULL PORT BALL VALVE

NUMBER	SIZE	A	B	C	D	E	F	G	H	I	J	K	L	M	Cv	Wt.**
77C-101	1/4	0.37	0.95	1.97	1.76	3.74	1.86	4.06	1.41	3.50	2.80	3.12	4.12	3.86	4.5	0.6
77C-102	3/8	0.37	1.07	2.09	1.76	3.74	1.86	4.06	1.41	3.50	2.80	3.12	4.12	3.86	7.2	0.6
77C-103	1/2	0.50	1.15	2.25	1.79	3.74	1.89	4.06	1.44	3.50	2.83	3.12	4.12	3.89	15.5	0.6
77C-104	3/4	0.75	1.32	2.65	2.00	4.88	2.20	5.03	1.76	4.00	3.12	3.12	4.12	4.10	35.6	1.1
77C-105	1	1.00	1.53	3.07	2.19	4.88	2.39	5.03	1.96	4.00	3.32	3.12	4.12	4.29	68.1	1.8
77C-106	1-1/4	1.25	2.04	4.08	3.13	7.06	3.76	7.19	2.82	6.00	--	--	--	5.23	125.0	4.4
77C-107	1-1/2	1.50	2.21	4.43	3.29	7.06	3.92	7.19	2.98	6.00	--	--	--	5.39	177.0	5.9
77C-108	2	2.00	2.76	5.29	3.83	7.06	4.46	7.19	3.52	6.00	--	--	--	5.93	389.0	11.4

\*\*Weights are based on standard configuration 77C-10X-01.