



77-900 Series

Bronze Full Port SAE Straight Thread Ball Valve

Straight Threads, 600 psig WOG, Cold Non-Shock. 150 psig Saturated Steam. (See referenced P/T chart)
Vacuum Service to 29 inches Hg.

Federal Specification: WW-V-35C, Type: II, Composition: BZ, Style: 3.

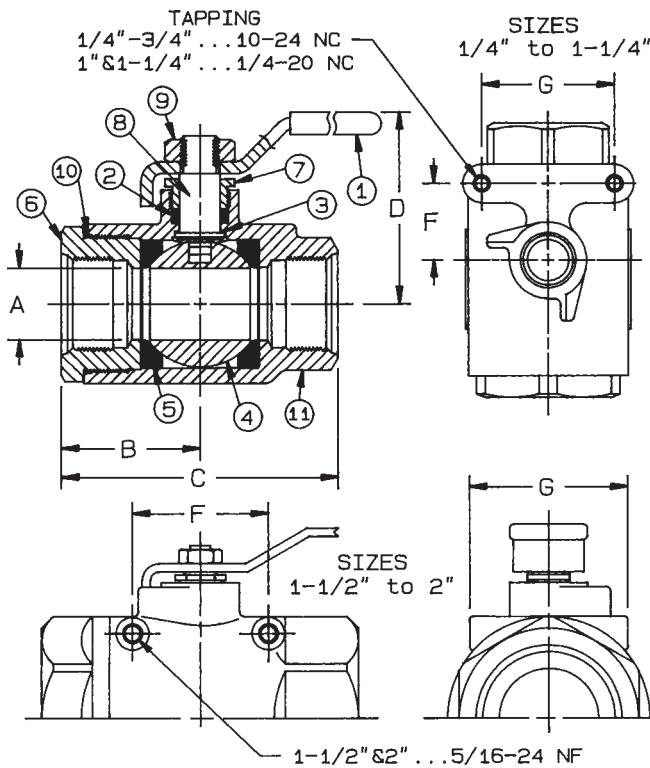
MSS SP-110; Ball Valves Threaded, Socket-Welding, Solder Joint, Grooved and Flared Ends.

FEATURES

- Chromium plated ball
- RPTFE seats and stuffing box ring
- Mounting pad for easy actuator mounting
- Straight thread w/O-Ring boss connection
- Blow-out-proof stem design
- Adjustable packing gland
- Full port for full flow & min. pressure drop
- SAE J512/J514 Straight Thread O-Ring Boss

STANDARD MATERIAL LIST

1. Lever and grip	Steel, zinc plated w/vinyl	7. Gland nut	B16
2. Stem packing	RPTFE	8. Stem	B16
3. Stem bearing	RPTFE	9. Lever nut	Steel, zinc plated
4. Ball	Brass, chrome plated	10. Body seal	PTFE (1-1/4" to 2")
5. Seat (2)	RPTFE	11. Body	B584-C84400
6. Retainer	B16 (1/4" to 1") B584-C84400 (1-1/4" to 2")		



OPTIONS AVAILABLE:

(SUFFIX)	OPTION	SIZES
-02-	Stem Grounded	1/4" to 2"
-03-	1-1/4" CS Stem Extension	1/4" to 2"
-04-	2-1/4" CS Stem Extension	1/4" to 2"
-07-	Steel Tee Handle	1/4" to 2"
-08-	90° Reversed Stem	1/4" to 2"
-10-	SS Lever & Nut	1/4" to 2"
-15-	Wheel Handle, Steel	1/4" to 2"
-17-	Rough Chrome Plated - Bronze Valves	1/4" to 2"
-24-	Graphite Packing	1/4" to 2"
-27-	SS Latch-Lock Lever & Nut	1/4" to 2"
-30-	Cam-Lock and Grounded	1/4" to 2"
-32-	SS Tee Handle & Nut	1/4" to 2"
-35-	VTFE Trim	1/4" to 2"
-46-	Latch Lock Lever - Lock in Closed Position Only	1/4" to 3"
-48-	SS Oval Handle (No Latch) & Nut	1/4" to 2"
-50-	2-1/4" CS Locking Stem Extension	1/4" to 2"

**For Pressure/Temperature Ratings,
Refer to Page M-8, Graph No. 4**

BRONZE FULL PORT SAE O-RING BOSS BALL VALVE

NUMBER	NOM. TUBE O.D.	SIZE	A	B	C	D	E	F	G	Wt.
77-901-01	1/4"	7/16"-20	.43	1.12	2.25	1.81	3.87	.50	1.12	.79
77-902-01	3/8"	9/16"-18	.50	1.12	2.25	1.81	3.87	.50	1.12	.75
77-903-01	1/2"	3/4"-16	.50	1.12	2.25	1.81	3.87	.50	1.12	.69
77-904-01	3/4"	1-1/16"-12	.81	1.56	3.12	2.12	4.87	.87	1.37	1.83
77-905-01	1"	1-5/16"-12	1.00	1.81	3.62	2.62	5.50	.93	1.50	3.32
77-906-01	1-1/4"	1-5/8"-12	1.25	2.12	4.25	2.87	5.50	.93	1.50	5.05
77-907-01	1-1/2"	1-7/8"-12	1.50	2.37	4.75	3.34	8.00	2.09	3.06	6.71
77-908-01	2"	2-1/2"-12	2.00	2.65	5.37	3.71	8.00	2.41	3.52	11.75