



# 76F-100 Series

## Stainless Steel Full Port Ball Valve

Threaded, 1/4"-2" 1000 psig CWP Cold Non-Shock, 150 psig. (See referenced P/T chart)  
 Saturated Steam, Vacuum Service to 29 inches Hg.  
 Federal Specification: WW-V-35C, Type: II, Composition: SS, Style: 3.  
 MSS SP-110; Ball Valves Threaded, Socket-Welding, Solder Joint, Grooved and Flared Ends.

### FEATURES

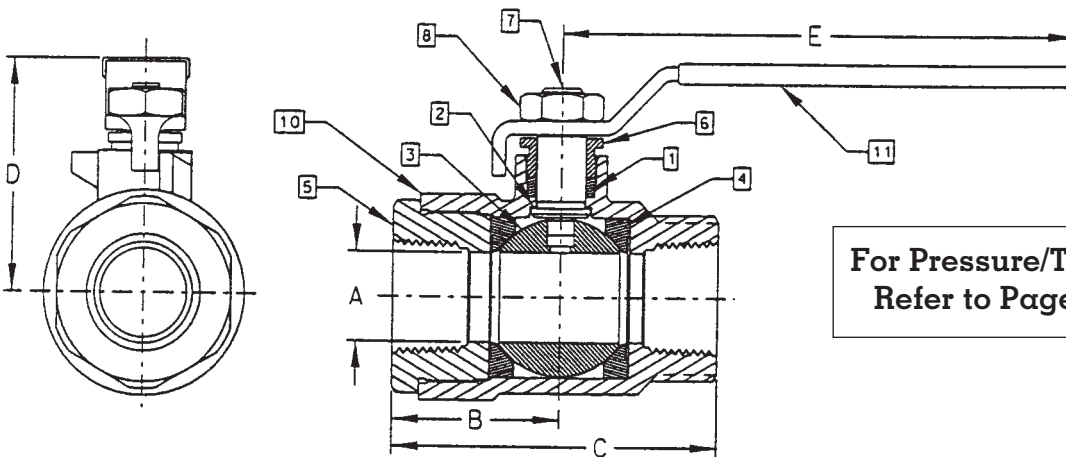
- Investment cast components
- RPTFE seats
- MPTFE stuffing box ring
- Blow-out-proof stem design
- Adjustable packing gland
- Meets NACE MR-01-75
- SS lever and nut
- Available with SS latch lock lever (-27)

### STANDARD MATERIAL LIST

|                 |  |                    |             |
|-----------------|--|--------------------|-------------|
| 1. Stem packing | MPTFE  | 6. Gland           | A276-316 SS |
| 2. Stem bearing | RPTFE  | 7. Stem            | A276-316 SS |
| 3. Ball         | A276-316 SS  | 8. Lever nut       | 304 SS      |
| 4. Seat (2)     | RPTFE  | 9. Washer          | 304 SS      |
| 5. Retainer     | A276-316 SS (1/4" to 1")<br>A351-CF8M (1-1/4" to 2") | 10. Body           | A351-CF8M   |
|                 |  | 11. Lever and grip | SS w/vinyl  |

### OPTIONS AVAILABLE:

| (SUFFIX) | OPTION                    | SIZES      |
|----------|---------------------------|------------|
| -27-     | SS Latch Lock Lever & Nut | 1/4" to 2" |



**For Pressure/Temperature Ratings,  
Refer to Page M-10, Graph No. 8**

#### STAINLESS STEEL FULL PORT BALL VALVE

| NUMBER     | SIZE   | A    | B    | C    | D    | E    | WT.  |
|------------|--------|------|------|------|------|------|------|
| 76F-101-01 | 1/4"   | .37  | .95  | 1.91 | 1.60 | 3.85 | .47  |
| 76F-102-01 | 3/8"   | .37  | .95  | 1.91 | 1.60 | 3.85 | .44  |
| 76F-103-01 | 1/2"   | .50  | 1.10 | 2.23 | 1.73 | 3.85 | .55  |
| 76F-104-01 | 3/4"   | .81  | 1.56 | 3.06 | 2.13 | 4.75 | 1.54 |
| 76F-105-01 | 1"     | 1.00 | 1.71 | 3.45 | 2.66 | 5.40 | 2.81 |
| 76F-106-01 | 1-1/4" | 1.25 | 2.05 | 4.10 | 2.88 | 5.40 | 4.12 |
| 76F-107-01 | 1-1/2" | 1.50 | 2.33 | 4.66 | 3.30 | 7.75 | 5.74 |
| 76F-108-01 | 2"     | 2.00 | 2.68 | 5.37 | 3.70 | 7.75 | 9.73 |