



76-600 Series

3-Way Diversion Stainless Steel Ball Valve

Threaded, 800 psig WOG, Cold Non-Shock.

FEATURES

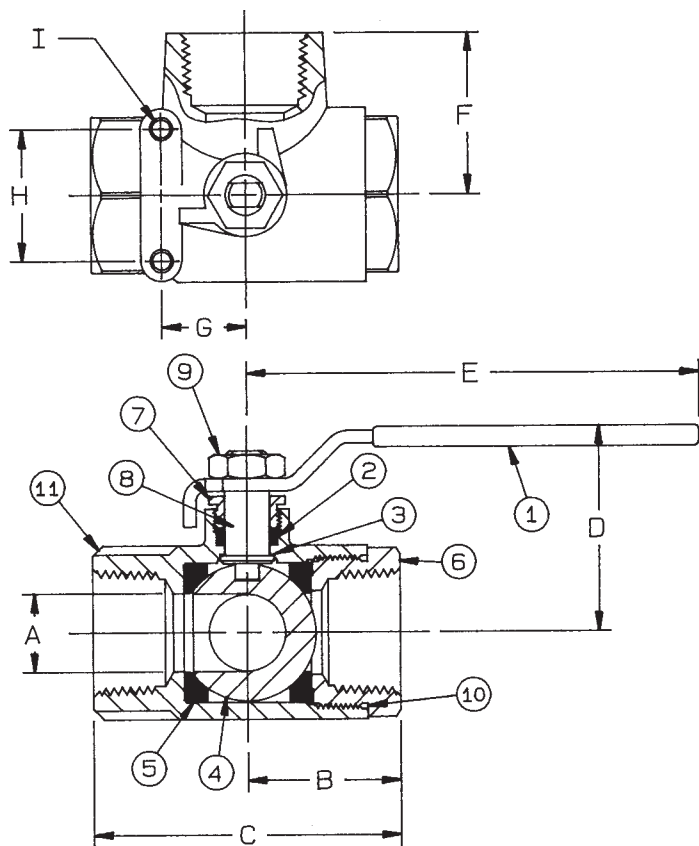
- RPTFE seats and stuffing box ring
- Meets NACE MR-01-75
- Blow-out-proof stem design
- Adjustable packing gland
- Investment cast body

STANDARD MATERIAL LIST

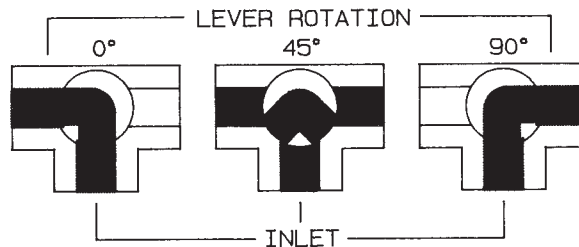
1. Lever and grip	304 SS w/vinyl	7. Gland nut	A276-316
2. Stem packing	RPTFE	8. Stem	A276-316
3. Stem bearing	RPTFE	9. Lever nut	18-8 SS
4. Ball	A276-316	10. Body seal (1-1/2" to 2")	PTFE
5. Seat (2)	RPTFE	11. Body	A351-CF8M
6. Retainer	A276-316 (1/4" to 1") A351-CF8M (1-1/2" to 2")		

OPTIONS AVAILABLE:

(SUFFIX)	OPTION	SIZES
-02-	Stem Grounded	1/4" to 2"
-03-	1-1/4" CS Stem Extension	1/4" to 2"
-04-	2-1/4" CS Stem Extension	1/4" to 2"
-21-	UHMWPE Seats (Non-PTFE)	1/4" to 2"
-24-	Graphite Packing	1/4" to 2"
-27-	SS Latch-Lock Lever & Nut	1/4" to 2"
-35-	VTFE Trim	1/4" to 2"
-49-	Assembled Dry	1/4" to 2"
-50-	2-1/4" CS Locking Stem Extension	1/4" to 2"
-56-	Multifill Seats & Packing	1/4" to 2"
-57-	Oxygen Cleaned	1/4" to 2"
-60-	Grounded Ball & Stem	1/4" to 2"
-P01-	BSPP (Parallel) Thread Connection	1/4" to 2"
-T01-	BSPT (Tapered) Thread Connection	1/4" to 2"



FLOW PATTERN



NOTE: Open port pressure must exceed Closed port pressure.

3-WAY DIVERSION STAINLESS STEEL BALL VALVE

NUMBER	SIZE	A	B	C	D	E	F	G	H	I	Wt.
76-601-01	1/4"	.437	1.20	2.09	1.80	3.88	1.18	.875	1.375	10-24	.7
76-602-01	3/8"	.437	1.20	2.09	1.80	3.88	1.18	.875	1.375	10-24	.68
76-603-01	1/2"	.505	1.20	2.09	1.80	3.88	1.18	.875	1.375	10-24	.75
76-604-01	3/4"	.687	1.50	2.62	2.06	4.78	1.50	.875	1.375	10-24	1.45
76-605-01	1"	.875	1.60	2.86	2.15	4.78	1.68	.875	1.375	10-24	1.86
76-607-01	1-1/2"	1.265	2.19	3.34	3.03	5.43	2.40	.937	1.50	1/4-20	4.67
76-608-01	2"	1.515	2.69	4.00	3.22	5.43	2.81	.937	1.50	1/4-20	7.02

**For Pressure/Temperature Ratings,
Refer to Page M-16, Graph No. 21**