



# 74-100 Series

## Chemical Resistant Nickel Ball Valve

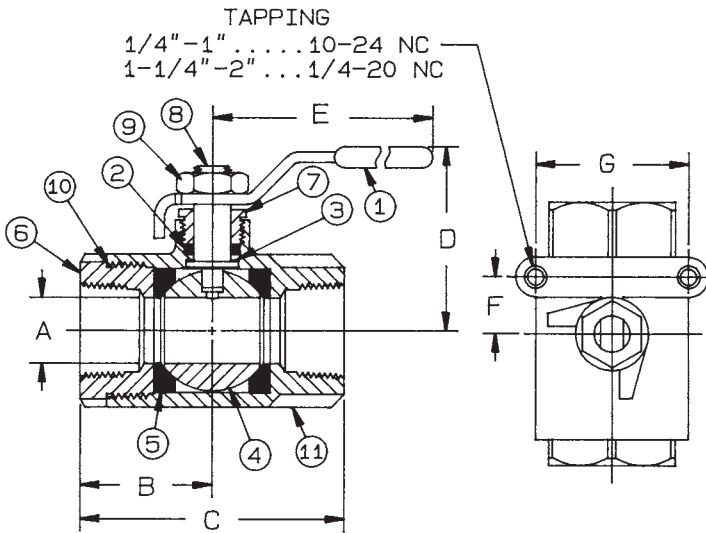
Threaded, 800 psig WOG, Cold Non-Shock. 150 psig Saturated Steam.  
Vacuum Service to 29 inches Hg.

### FEATURES

- Investment cast components
- RPTFE seats and stuffing box ring
- SS lever and nut
- Blow-out-proof stem design
- Adjustable packing gland
- (-24) Certified to API 607 4th Edition

### STANDARD MATERIAL LIST

1. Lever and grip	304 SS w/vinyl	7. Gland nut	A276-316
2. Stem packing	RPTFE	8. Stem	Nickel 200, ASTM-B160
3. Stem bearing	RPTFE	9. Lever nut	18-8 SS
4. Ball	Nickel 200, ASTM-B162	10. Body seal	PTFE (1-1/2" & 2")
5. Seat (2)	RPTFE	11. Body	Nickel CZ100, ASTM-A494
6. Retainer	Nickel 200, ASTM-B160 (1/2" to 1") Nickel CZ100, ASTM-A494 (1-1/2" to 2")		



### OPTIONS AVAILABLE:

(SUFFIX)	OPTION	SIZES
-02-	Stem Grounded	1/2" to 2"
-03-	1-1/4" CS Stem Extension	1/2" to 2"
-04-	2-1/4" CS Stem Extension	1/2" to 2"
-07-	Steel Tee Handle	1/2" to 2"
-14-	Side Vented Ball (Uni-Directional)	1/2" to 2"
-15-	Wheel Handle, Steel	1/2" to 2"
-16-	Chain Lever - Vertical	3/4" to 2"
-18-	Plain Yellow Grip	1/2" to 2"
-21-	UHMWPE Seats (Non-PTFE)	1/2" to 2"
-24-	Graphite Packing	1/2" to 2"
-27-	SS Latch-Lock Lever & Nut	1/2" to 2"
-30-	Cam-Lock and Grounded	1/2" to 2"
-32-	SS Tee Handle & Nut	1/2" to 2"
-35-	VTFE Trim	1/2" to 2"
-45-	Less Lever & Nut	1/2" to 2"
-46-	Latch Lock Lever - Lock Close Only	1/2" to 2"
-48-	SS Oval Handle (No Latch) & Nut	1/2" to 2"
-49-	Assembled Dry	1/2" to 2"
-50-	2-1/4" CS Locking Stem Extension	1/2" to 2"
-56-	Multifill Seats & Packing	1/2" to 2"
-58-	Chain Lever - Horizontal	3/4" to 2"
-60-	Grounded Ball & Stem	1/2" to 2"
-P01-	BSPP (Parallel) Thread Connection	1/2" to 2"
-T01-	BSPT (Tapered) Thread Connection	1/2" to 2"

#### CHEMICAL RESISTANT NICKEL BALL VALVE

NUMBER	SIZE	A	B	C	D	E	Wt.
74-103-01	1/2"	.50	1.12	2.25	1.75	3.87	.58
74-104-01	3/4"	.68	1.50	3.00	2.12	4.87	1.18
74-105-01	1"	.87	1.68	3.37	2.25	4.87	1.57
74-107-01	1-1/2"	1.25	2.18	4.37	3.06	8.00	4.11
74-108-01	2"	1.50	2.34	4.68	3.25	8.00	6.02

**For Pressure/Temperature Ratings,  
Refer to Page M-16, Graph No. 22**