



73-300 Series

Carbon Steel Double Union End Ball Valve

Threaded, 3000 psig WOG, Cold Non-Shock, 150 psig Saturated Steam.

Vacuum Service to 29 inches Hg.

Federal Specification: WW-V-35C, Type II, Composition: CS, Style: 1

MSS SP-110; Ball Valves Threaded, Socket-Welding, Solder Joint, Grooved and Flared Ends.

FEATURES

- Heavy duty quarter turn lever
- RPTFE seats and seals
- Steel barstock design
- Easy installation and maintenance
- Blow-out-proof stem design
- Adjustable packing gland
- Chromium plated ball
- Nitride corrosion protection

UL LISTINGS @ 250 PSIG MAX



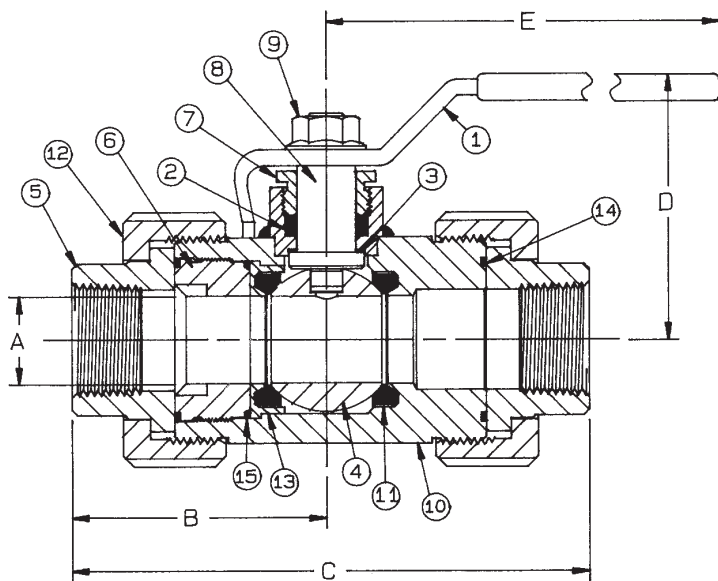
LISTED

- Guide YRPV: Gas shutoff valve for use with natural and manufactured gases.
- Guide YSDT: LP gas shutoff valve.
- Guide YRBX: Flammable liquid shutoff valve.

Note: Listings apply ONLY to the standard -01 valves.

STANDARD MATERIAL LIST

1. Lever and grip	Steel, zinc plated w/vinyl	9. Lever nut	Steel, zinc plated
2. Stem packing	RPTFE	10. Body	A108-CS
3. Stem bearing	RPTFE	11. Seat (2)	RPTFE
4. Ball	A108-CS chrome plated	12. Union nut (2)	A108-CS
5. Tailpiece (2)	A108-CS	13. Seat holder	A108-CS
6. Retainer	A108-CS	14. Union seal (2)	RPTFE
7. Gland nut	A108-CS	15. Retainer seal	RPTFE
8. Stem	A108-CS chrome plated		



CARBON STEEL DOUBLE UNION END BALL VALVE

NUMBER	SIZE	A	B	C	D	E	Wt.
73-301-01	1/4"	.43	2.50	5.00	2.50	5.62	3.51
73-302-01	3/8"	.57	2.50	5.00	2.50	5.62	3.45
73-303-01	1/2"	.62	2.50	5.00	2.50	5.62	3.35
73-304-01	3/4"	.81	2.71	5.31	2.62	5.62	4.48
73-305-01	1"	1.00	2.96	6.06	3.12	6.62	7.04
73-306-01	1-1/4"	1.25	2.87	6.12	3.43	8.00	9.96
73-307-01	1-1/2"	1.50	3.46	7.12	3.56	8.00	14.83
73-308-01	2"	1.75	3.75	7.50	4.18	9.00	20.50

VARIATIONS AVAILABLE:

73-340 Series (316 SS Ball & Stem)

OPTIONS AVAILABLE:

(SUFFIX)	OPTION	SIZES
-02-	Stem Grounded	1/4" to 2"
-07-	Steel Tee Handle	1/4" to 1-1/2"
-08-	90° Reversed Stem	1/4" to 2"
-14-	Side Vented Ball (Uni-Directional)	1/4" to 2"
-15-	Wheel Handle, Steel	1/4" to 1"
-18-	Plain Yellow Grip	1/4" to 2"
-19-	Lock Plate	1/4" to 2"
-21-	UHMWPE Seats (Non-PTFE)	1/4" to 2"
-22-	Viton Union Seals	1/4" to 2"
-29-	Graphite Packing & Seals	1/4" to 2"
-45-	Less Lever & Nut	1/4" to 2"
-60-	Grounded Ball & Stem	1/4" to 2"
-63-	Threaded x Socket Weld	1/2" to 2"
-64-	250# Steam Trim	1/4" to 2"
-P01-	BSPP (Parallel) Thread Connection	1/4" to 2"
-T01-	BSPT (Tapered) Thread Connection	1/4" to 2"

**For Pressure/Temperature Ratings,
Refer to Page M-13, Graph No. 15**