



71-100 Series

Bronze Ball Valve With Mounting Pad

Threaded, 600 psig WOG, Cold Non-Shock. 150 psig Saturated Steam. (See referenced P/T chart)
Vacuum Service to 29 inches Hg.

Federal Specification: WW-V-35C, Type: II, Composition: BZ, Style: 3.

MSS SP-110; Ball Valves, Threaded, Socket-Welding, Solder Joint, Grooved and Flared Ends

FEATURES

- Chromium plated ball
- RPTFE seats and stuffing box ring
- Mounting pad for easy actuator mounting
- Blow-out-proof stem design
- Adjustable packing gland

STANDARD MATERIAL LIST

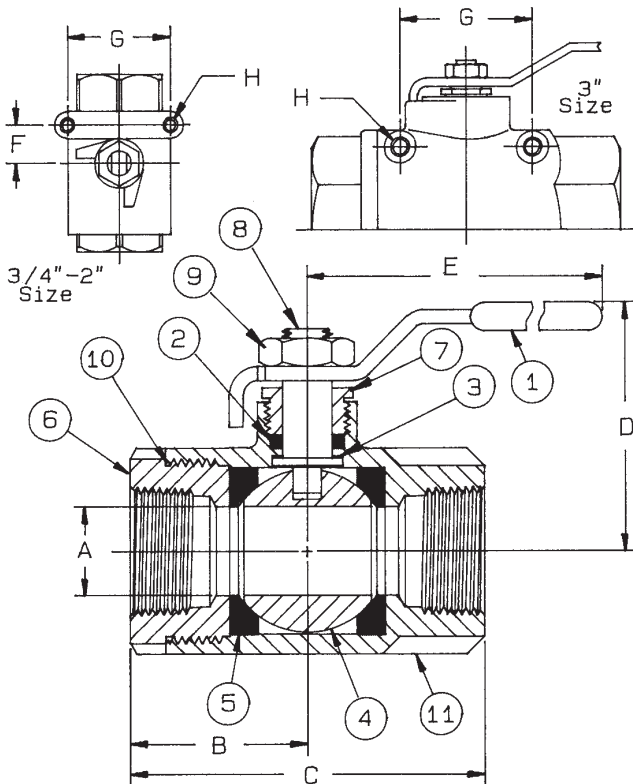
1. Lever and grip	Steel, zinc plated w/vinyl	9. Lever nut	Steel, zinc plated
2. Stem packing	RPTFE	10. Body seal	PTFE
3. Stem bearing	RPTFE	(1-1/4" to 3")	
4. Ball	B16, chrome plated	11. Body	B584-C84400
5. Seat (2)	RPTFE		
6. Retainer	B16 (3/4" to 1")		
	B584-C84400 (1-1/4" to 3")		
7. Gland nut	B16		
8. Stem	B16		

VARIATIONS AVAILABLE:

- 71-120 Series (Adjustable Stop Lever)
- 71-140 Series (316 SS Ball & Stem)
- 71-150 Series (Balancing Stop)
- 71-190 Series (Locked Retainer)

OPTIONS AVAILABLE:

(SUFFIX)	OPTION	SIZES
-02-	Stem Grounded	3/4" to 3"
-03-	1-1/4" CS Stem Extension	3/4" to 3"
-04-	2-1/4" CS Stem Extension	3/4" to 3"
-05-	Plain Ball	3/4" to 3"
-07-	Steel Tee Handle	3/4" to 2"
-08-	90° Reversed Stem	3/4" to 3"
-10-	SS Lever & Nut	3/4" to 3"
-14-	Side Vented Ball (Uni-Directional)	3/4" to 3"
-15-	Wheel Handle, Steel	3/4" to 2"
-16-	Chain Lever - Vertical	3/4" to 2"
-21-	UHMWPE Trim (Non-PTFE)	3/4" to 3"
-24-	Graphite Packing	3/4" to 3"
-27-	SS Latch-Lock Lever & Nut	3/4" to 3"
-30-	Cam-Lock and Grounded	3/4" to 2"
-32-	SS Tee Handle & Nut	3/4" to 2"
-35-	VTFE Trim	3/4" to 3"
-39-	SS Hi-Rise Locking Wheel Handle, SS Nut	3/4" to 2"
-40-	Cyl-Loc and Grounded	3/4" to 2"
-41-	Automatic Drain (Bronze Valves Only)	3/4" to 2"
	see page J-8	
-45-	Less Lever & Nut	3/4" to 3"
-46-	Latch Lock Lever - Lock in Closed Position Only	3/4" to 3"
-47-	SS Oval Latch-Lock Handle & Nut	3/4" to 1"
-48-	SS Oval Handle (No Latch) & Nut	3/4" to 2"
-49-	Assembled Dry	3/4" to 3"
-50-	2-1/4" CS Locking Stem Extension	3/4" to 3"
-56-	Multifill Seats & Packing	3/4" to 3"
-57-	Oxygen Cleaned	3/4" to 3"
-58-	Chain Lever - Horizontal	3/4" to 2"
-60-	Static Grounded Ball & Stem	3/4" to 3"
-64-	250# Steam Trim	3/4" to 3"
-P01-	BSPP (Parallel) Thread Connection	3/4" to 3"
-T01-	BSPT (Tapered) Thread Connection	3/4" to 3"



BRONZE BALL VALVE WITH MOUNTING PAD

NUMBER	SIZE	A	B	C	D	E	F	G	H	Wt.
71-104-01	3/4"	.68	1.50	3.00	2.12	4.87	.87	1.37	10-24 NC	1.63
71-105-01	1"	.87	1.68	3.37	2.25	4.87	.87	1.37	10-24 NC	1.86
71-106-01	1-1/4"	1.00	2.00	4.00	2.62	5.50	.93	1.50	1/4-20 NC	3.39
71-107-01	1-1/2"	1.25	2.18	4.37	2.87	8.00	.93	1.50	1/4-20 NC	4.68
71-108-01	2"	1.50	2.34	4.68	3.06	8.00	.93	1.50	1/4-20 NC	5.72
71-100-01	3"	2.50	3.37	6.75	4.12	8.00	N/A	2.75	1/4-20 NC	18.60

*See 77-140 Series Full Port for 1/4", 3/8", 1/2" and 2-1/2" Sizes

**For Pressure/Temperature Ratings,
Refer to Page M-8, Graph No. 4**