



70-800 Series

Male x Female Bronze Ball Valve

Male x Female Threaded, 600 psig WOG, Cold Non-Shock. 150 psig Saturated Steam. (See referenced P/T chart)
Vacuum Service to 29 inches Hg.

Federal Specification: WW-V-35C, Type: II, Composition: BZ, Style: 3.

MSS SP-110; Ball Valves, Threaded, Socket-Welding, Solder Joint, Grooved and Flared Ends.

FEATURES

- Chromium plated ball
- RPTFE seats and stuffing box ring
- Male x Female threaded end connections
- Blow-out-proof stem design
- Adjustable packing gland

STANDARD MATERIAL LIST

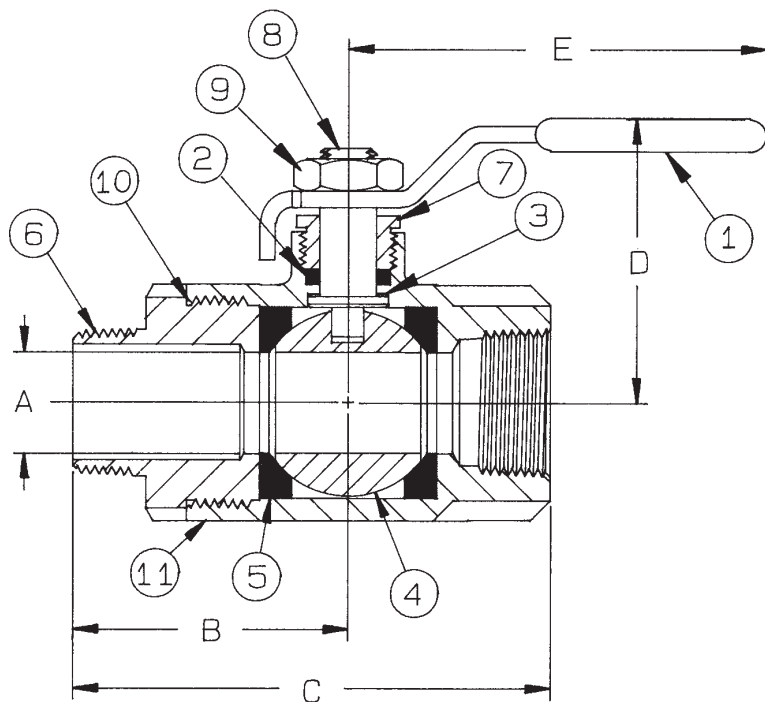
| | | | |
|-------------------|----------------------------|--------------------|--------------------|
| 1. Lever and grip | Steel, zinc plated w/vinyl | 7. Gland nut | B16 |
| 2. Stem packing | RPTFE | 8. Stem | B16 |
| 3. Stem bearing | RPTFE | 9. Lever nut | Steel, zinc plated |
| 4. Ball | B16, chrome plated | 10. Body seal | PTFE |
| 5. Seat (2) | RPTFE | (1-1/4" to 1-1/2") | |
| 6. Retainer | B16 | 11. Body | B584-C84400 |

VARIATIONS AVAILABLE:

- 70-820 Series (Adjustable Stop Lever)
- 70-840 Series (316 SS Ball & Stem)
- 70-850 Series (Balancing Stop)

OPTIONS AVAILABLE:

| (SUFFIX) | OPTION | SIZES |
|----------|---|----------------|
| -02- | Stem Grounded | 1/4" to 1-1/2" |
| -03- | 1-1/4" CS Stem Extension | 1/4" to 1-1/2" |
| -04- | 2-1/4" CS Stem Extension | 1/4" to 1-1/2" |
| -05- | Plain Ball | 1/4" to 1-1/2" |
| -07- | Steel Tee Handle | 1/4" to 1-1/2" |
| -08- | 90° Reversed Stem | 1/4" to 1-1/2" |
| -10- | SS Lever & Nut | 1/4" to 1-1/2" |
| -14- | Side Vented Ball (Uni-Directional) | 1/4" to 1-1/2" |
| -15- | Wheel Handle, Steel | 1/4" to 1-1/2" |
| -16- | Chain Lever - Vertical | 3/4" to 1-1/2" |
| -21- | UHMWPE Trim (Non-PTFE) | 1/4" to 1-1/2" |
| -24- | Graphite Packing | 1/4" to 1-1/2" |
| -27- | SS Latch-Lock Lever & Nut | 1/4" to 1-1/2" |
| -30- | Cam-Lock and Grounded | 1/4" to 1-1/2" |
| -32- | SS Tee Handle & Nut | 1/4" to 1-1/2" |
| -35- | VITFE Trim | 1/4" to 1-1/2" |
| -39- | SS Hi-Rise Locking Wheel Handle, SS Nut | 1/4" to 1-1/2" |
| -40- | Cyl-Loc and Grounded | 1/4" to 1-1/2" |
| -41- | Automatic Drain (Bronze Valves Only) | 1/4" to 1-1/2" |
| | see page J-8 | |
| -45- | Less Lever & Nut | 1/4" to 1-1/2" |
| -46- | Latch Lock Lever - Lock in Closed Position Only | 1/4" to 1-1/2" |
| -47- | SS Oval Latch-Lock Handle & Nut | 1/4" to 1" |
| -48- | SS Oval Handle (No Latch) & Nut | 1/4" to 1-1/2" |
| -49- | Assembled Dry | 1/4" to 1-1/2" |
| -50- | 2-1/4" CS Locking Stem Extension | 1/4" to 1-1/2" |
| -56- | Multifill Seats & Packing | 1/4" to 1-1/2" |
| -57- | Oxygen Cleaned | 1/4" to 1-1/2" |
| -58- | Chain Lever - Horizontal | 3/4" to 1-1/2" |
| -60- | Static Grounded Ball & Stem | 1/4" to 1-1/2" |
| -64- | 250# Steam Trim | 1/4" to 1-1/2" |



MALE X FEMALE BRONZE BALL VALVE

| NUMBER | SIZE | A | B | C | D | E | Wt. |
|-----------|--------|------|------|------|------|------|------|
| 70-801-01 | 1/4" | .37 | 1.40 | 2.43 | 1.75 | 3.87 | .63 |
| 70-802-01 | 3/8" | .37 | 1.46 | 2.50 | 1.75 | 3.87 | .60 |
| 70-803-01 | 1/2" | .50 | 1.68 | 2.81 | 1.81 | 3.87 | .72 |
| 70-804-01 | 3/4" | .68 | 2.00 | 3.50 | 2.12 | 4.87 | 1.42 |
| 70-805-01 | 1" | .87 | 2.31 | 4.00 | 2.25 | 4.87 | 1.93 |
| 70-806-01 | 1-1/4" | 1.00 | 2.31 | 4.31 | 2.62 | 5.50 | 3.19 |
| 70-807-01 | 1-1/2" | 1.25 | 3.00 | 5.18 | 3.06 | 8.00 | 4.60 |

**For Pressure/Temperature Ratings,
Refer to Page M-8, Graph No. 4**