



# 70-600 Series

## 3-Way Diversion Bronze Ball Valve

Threaded, 400 psig WOG, Cold Non-Shock.

### FEATURES

- Chromium plated ball
- RPTFE seats and stuffing box ring
- Blow-out-proof stem design
- Adjustable packing gland

### STANDARD MATERIAL LIST

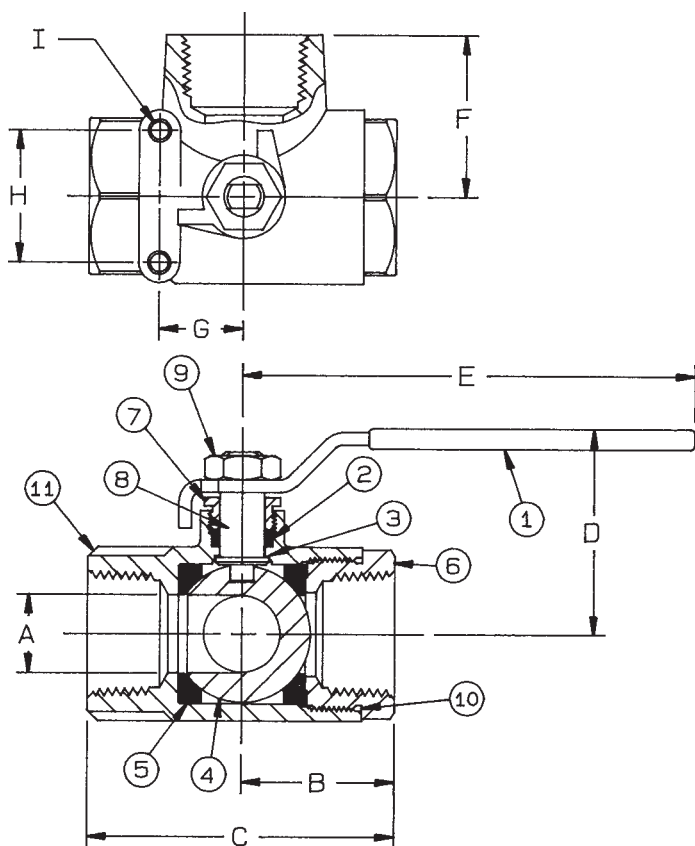
1. Lever and grip	Steel, zinc plated w/vinyl	7. Gland nut	B16
2. Stem packing	RPTFE	8. Stem	B16
3. Stem bearing	RPTFE	9. Lever nut	Steel, zinc plated
4. Ball	B16, chrome plated	10. Body seal (1-1/2" to 2")	PTFE
5. Seat (2)	RPTFE	11. Body	B584-C84400
6. Retainer	B16 (1/4" to 1") B584-C84400 (1-1/4" to 2")		

### VARIATIONS AVAILABLE:

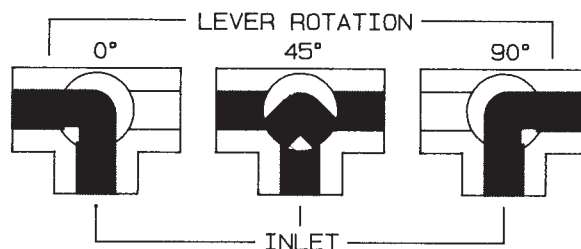
70-640 Series (316 SS Ball & Stem)

### OPTIONS AVAILABLE:

(SUFFIX)	OPTION	SIZES
-02-	Stem Grounded	1/4" to 2"
-03-	1-1/4" CS Stem Extension	1/4" to 2"
-04-	2-1/4" CS Stem Extension	1/4" to 2"
-05-	Plain Ball	1/4" to 2"
-10-	SS Lever & Nut	1/4" to 2"
-17-	Rough Chrome Plated - Bronze Valves	1/4" to 2"
-21-	UHMWPE Seats (Non-PTFE)	1/4" to 2"
-24-	Graphite Packing	1/4" to 2"
-27-	SS Latch-Lock Lever & Nut	1/4" to 2"
-35-	VTFE Trim	1/4" to 2"
-49-	Assembled Dry	1/4" to 2"
-50-	2-1/4" CS Locking Stem Extension	1/4" to 2"
-56-	Multifill Seats & Packing	1/4" to 2"
-57-	Oxygen Cleaned	1/4" to 2"
-60-	Grounded Ball & Stem	1/4" to 2"
-P01-	BSPP (Parallel) Thread Connection	1/4" to 2"
-T01-	BSPT (Tapered) Thread Connection	1/4" to 2"



### FLOW PATTERN



NOTE: Open port pressure must exceed Closed port pressure.

3-WAY DIVERSION BRONZE BALL VALVE

NUMBER	SIZE	A	B	C	D	E	F	G	H	I	Wt.
70-601-01	1/4"	.43	1.15	2.04	1.87	3.88	1.18	.875	1.37	10-24	.91
70-602-01	3/8"	.50	1.15	2.04	1.87	3.88	1.18	.875	1.37	10-24	.88
70-603-01	1/2"	.50	1.15	2.04	1.87	3.87	1.18	.875	1.37	10-24	.76
70-604-01	3/4"	.68	1.48	2.62	2.08	4.78	1.62	.875	1.37	10-24	1.65
70-605-01	1"	.87	1.59	2.85	2.18	4.78	1.68	.875	1.37	10-24	2.15
70-606-01	1-1/4"	1.01	1.98	3.11	2.72	5.43	2.09	.937	1.50	1/4-20	3.85
70-607-01	1-1/2"	1.26	2.19	3.34	2.90	5.43	2.38	.937	1.50	1/4-20	5.22
70-608-01	2"	1.51	2.32	3.62	3.09	5.43	2.50	2.87	1.50	1/4-20	6.20

**For Pressure/Temperature Ratings, Refer to Page M-8, Graph No. 3**